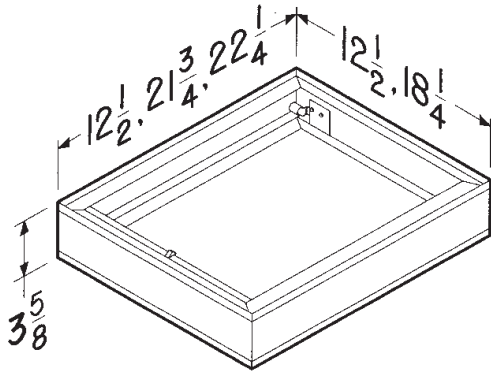




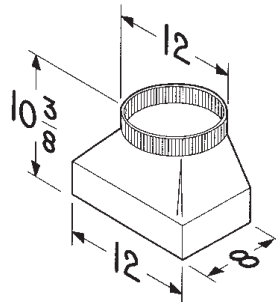
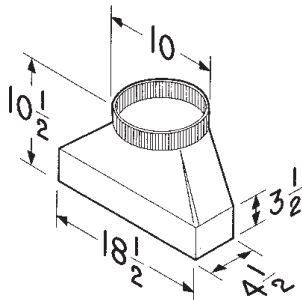
CEILING AND IN-LINE VENTILATOR ACCESSORIES

RADIATION DAMPERS, DUCT TRANSITIONS, METAL GRILLS FOR LOSONE UNITS



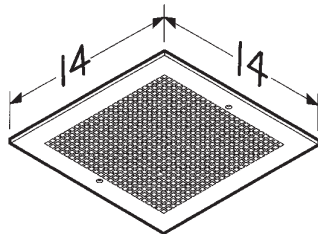
Models RD1, RD2 & RD3 Radiation Dampers

- UL rated 4-hour ceiling radiation dampers - classified for use in a 4-hour fire-rated ceiling
- Galvanized steel frame
- High temperature, non-asbestos, reinforced fiber thermal fabric
- 165°F fusible link
- Stainless steel negator-type closure spring
- RD1 (12 1/4' x 12 1/4") fits L100 - L300
- RD2 (21 1/2" x 18") fits L400 - L700



Models 423 & T81212 Duct Transitions

- Galvanized steel
- Allows for quick transition to easy-to-obtain-and-install round ducting
- 423 (4 1/2" x 18" to 10 round) for use with L400 thru L700



Model MG 1 Metal Grill Kit

- White enamel painted steel
- Mounting screws included
- Fits L100, L150, L200, L250 & L300

Project: _____	Submitted: _____
Customer: _____	Approved: _____
Location: _____	

Subject to change unless approved in submittal by Soler & Palau

