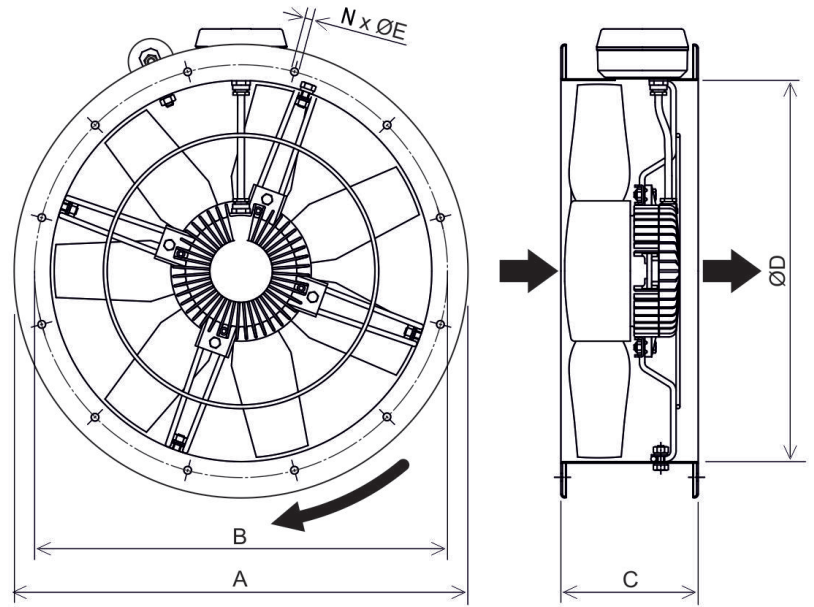




MODEL DA COMPACT Duct Axial Fan

STANDARD FEATURES

- Exhaust air up to 4,750 CFM with static pressure capabilities to 0.35" w.g.
- Constructed from die-cast aluminum and finished in a black polyester paint coating
- All models include asynchronous induction capacitor run and start motors
- Low profile design
- Class F motor insulation



| Size | A | B | C | D | E | N | Average Ship Wt. Lbs. |
|------|---------|----------|---------|----------|-----|----|-----------------------|
| 12 | 15-3/6 | 13-15/16 | 6-11/16 | 12-7/16 | 3/8 | 8 | 18 |
| 16 | 19-3/16 | 15-3/4 | 6-11/16 | 15-3/4 | 1/2 | 8 | 29 |
| 18 | 21-1/8 | 17-3/4 | 7-1/8 | 17-3/4 | 1/2 | 8 | 33 |
| 20 | 23-7/16 | 22-1/6 | 7-1/8 | 19-11/16 | 1/2 | 12 | 42 |

| FAN SPECIFICATIONS | | | | | | | | | MOTOR SPECIFICATIONS | | | | |
|--------------------|------|-----------|-----|-----|----|---------|-----|-------|----------------------|-------|-------|-------|------|
| Line | Qty. | Model No. | Tag | CFM | SP | Fan RPM | BHP | Sones | HP | Volts | Phase | Hertz | Encl |
| 1 | | | | | | | | | | | | | |
| 2 | | | | | | | | | | | | | |
| 3 | | | | | | | | | | | | | |
| 4 | | | | | | | | | | | | | |
| 5 | | | | | | | | | | | | | |

| ACCESSORY ITEMS | 1 | 2 | 3 | 4 | 5 | ACCESSORY ITEMS | 1 | 2 | 3 | 4 | 5 |
|--------------------------|---|---|---|---|---|--------------------------|---|---|---|---|---|
| <input type="checkbox"/> | | | | | | <input type="checkbox"/> | | | | | |
| <input type="checkbox"/> | | | | | | <input type="checkbox"/> | | | | | |
| <input type="checkbox"/> | | | | | | <input type="checkbox"/> | | | | | |
| <input type="checkbox"/> | | | | | | <input type="checkbox"/> | | | | | |
| <input type="checkbox"/> | | | | | | <input type="checkbox"/> | | | | | |