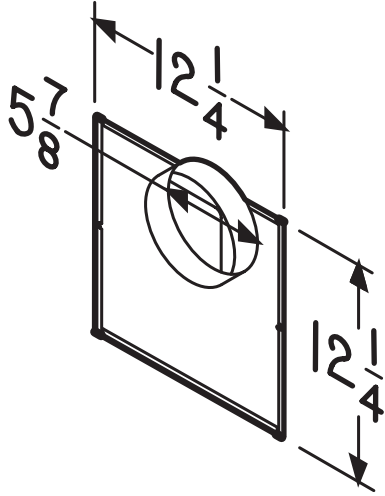


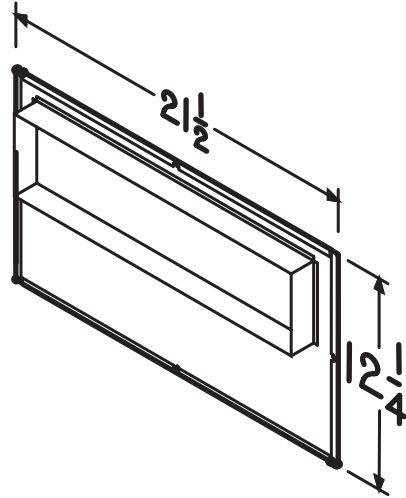


# CEILING VENTILATOR ACCESSORIES

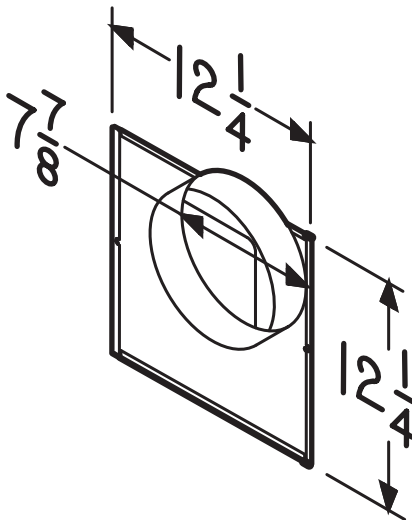
## IN-LINE ADAPTOR KITS FOR FF UNITS



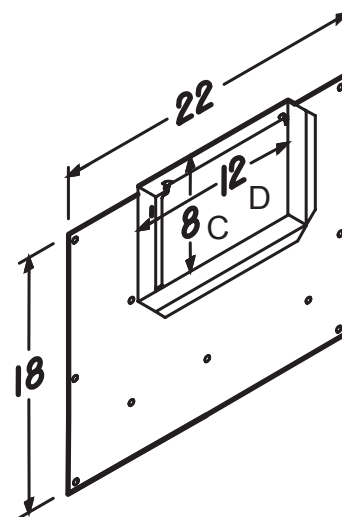
- 961L IN-LINE ADAPTOR KIT**
- Galvanized Steel
  - Fits FF100 & FF150
  - For 6" Round Duct Intake



- 982L IN-LINE ADAPTOR KIT**
- Galvanized Steel
  - Fits FF400, FF500 & FF700
  - 4 1/2" x 18 1/2" Duct Intake



- 981L IN-LINE ADAPTOR KIT**
- Galvanized Steel
  - Fits FF200, FF250 & FF300
  - For 8" Round Duct Intake



- 983L IN-LINE ADAPTOR KIT**
- Galvanized Steel
  - Fits FF900 & FF1500
  - 8" x 12" Duct Intake

Project: _____	Submitted: _____
Customer: _____	Approved: _____
Location: _____	

Subject to change unless approved in submittal by Soler & Palau

