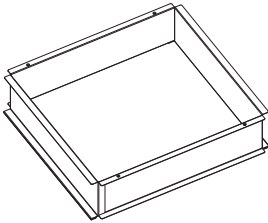




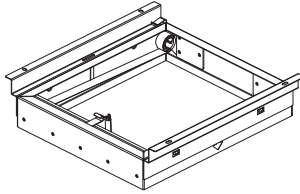
ADVANCING
VENTILATION®

Radiation Damper PCRD

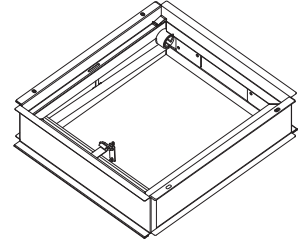
COMPONENTS



Damper Adapter



Radiation Damper

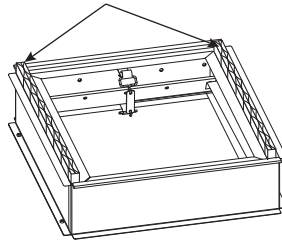


Damper Assembly

Note 1: Please wear gloves during installation.

Note 2: Please remove the corrugated board before installation.

Corrugated board



PREPARATION

1. Slide the adapter's hemmed edges onto the fan housing flanges as shown to the right.

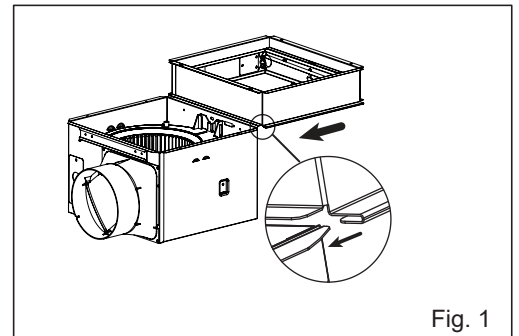


Fig. 1

2. Crimp channel on both sides of Damper Adapter to lock the Damper Adapter in place.

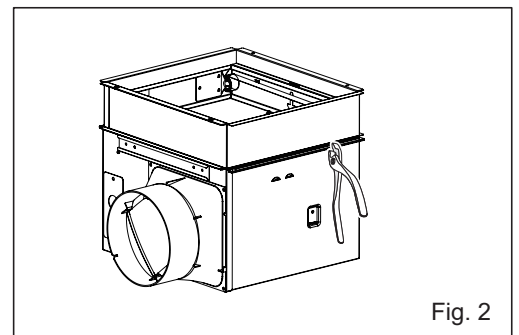


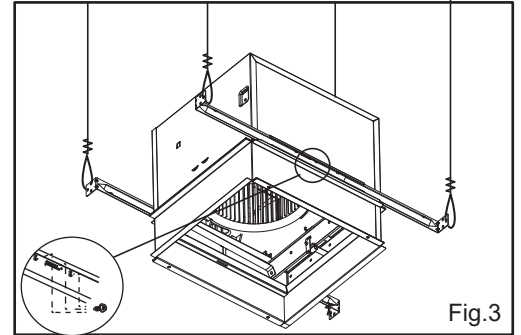
Fig. 2

READ AND SAVE THESE INSTRUCTIONS
Installer: Leave this manual with the homeowner.

NON-COMBUSTIBLE FLOOR/CEILING INSTALLATION

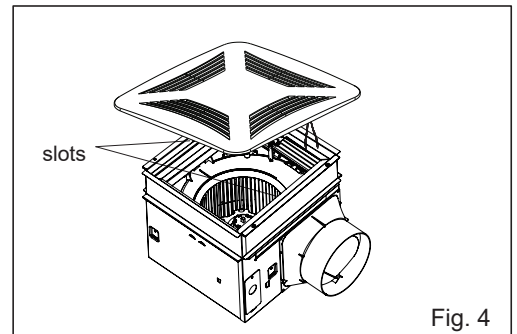
MAKE SURE FINISHED CEILING IS FLUSH WITH BOTTOM EDGE OF DAMPER.

1.If the fan is hung from the structure above, must be used Min. 12 gauge steel wire(3mm) to suspend the fan .Slide hanger bars onto housing and adjust as needed to fit between framing. Use one wire on each side of fan and secure to mounting chanel



INSTALL GRILLE

Pinch the grille springs on the sides of the grille assembly and position the grille into the housing with the grille springs in the appropriate slots of the Damper Assembly. Push the grille assembly towards the ceiling to secure (Fig.4)



WARRANTY

This warranty covers all defects in workmanship or materials for:

The mechanical and electrical parts contained in this product, for a period of 12 months, from the date of purchase. You must keep and be able to provide your original sales receipt as proof of the date of purchase. This warranty is covered the original retail purchaser of this product. The manufacturer will repair or replace, in your home, any mechanical or electrical part which proves defective in normal household use for a period of 12 months.

THIS WARRANTY DOES NOT COVER:

- Damages from improper installation
- Damages from shipping
- Damages from misuse, abuse, accident, alteration, lack of proper care and maintenance
- Damages from service by persons other than an authorized dealer or service center.
- Labor, service, transportation and shipping charges for the removal of defective parts and for installation of a replacement part, beyond the initial 12-month period.

This warranty does not extend to fluorescent lamp starters and tubes.

THIS LIMITED WARRANTY IS GIVEN IN LIEU OF ALL OTHER WARRANTIES, EXPRESSED OR IMPLIED, INCLUDING THE WARRANTIES OF MERCHANTABILITY AND FITNESS FOR A PARTICULAR PURPOSE.

The remedy provided in this warranty is exclusive and is granted in lieu of all other remedies. This warranty does not cover incidental or consequential damages. Some states do not allow the exclusion of incidental or consequential damages, so this limitation may not apply to you. Some states do not allow limitations on how long an implied warranty lasts, so this limitation may not apply to you. This warranty gives you specific legal rights, and you may also have other rights, which vary from state to state.