



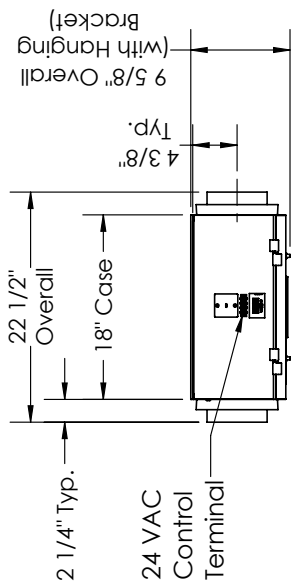
MODEL TRe90H Dimensions

(Energy Recovery Ventilators (ERV) - EC Motor Standard)

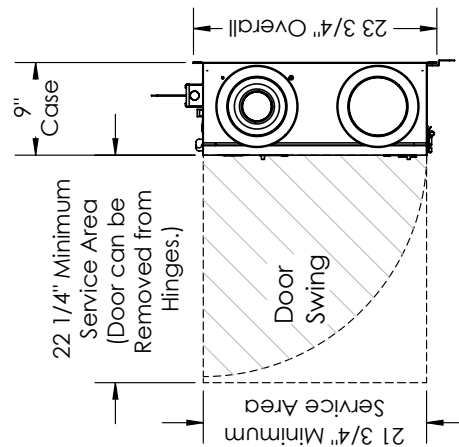
ABBREVIATIONS
 EA: Exhaust Air to Outside
 RA: Room Air to be Exhausted
 SA: Supply / Fresh Air to Inside
 OA: Outside Air Intake

INSTALLATION ORIENTATION
 Unit may be installed in any orientation.

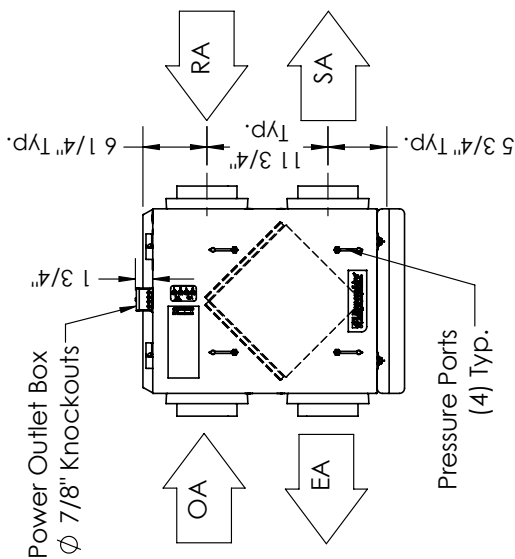
NOTE:
 1. UNLESS OTHERWISE SPECIFIED, DIMENSIONS ARE ROUNDED TO THE NEAREST EIGHTH OF AN INCH.
 2. SPECIFICATIONS MAY BE SUBJECT TO CHANGE WITHOUT NOTICE.



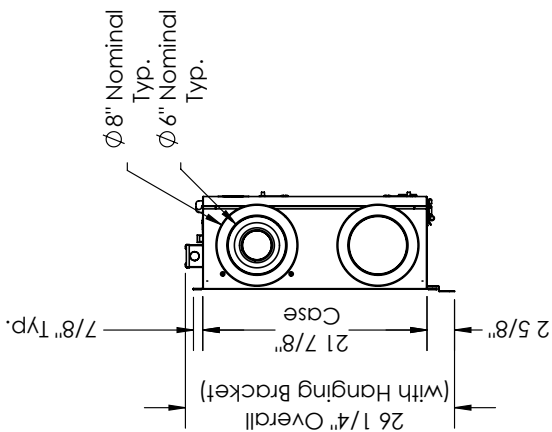
TOP VIEW



RIGHT VIEW



FRONT VIEW



LEFT VIEW