



MODEL TRC800V

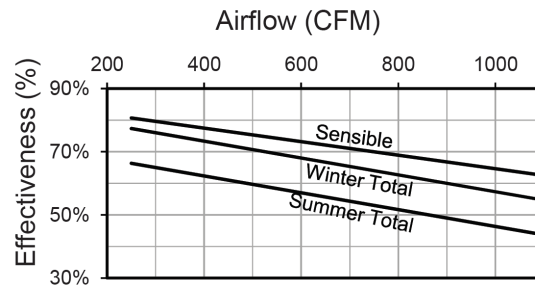
(Energy Recovery Ventilators -ERV)



Specifications

Ventilation Type: Static Plate, Heat and Humidity Transfer					
Typical Airflow Range: 250-925 CFM					
AHRI 1060 Certified Core: One L125-G5					
Airflow Rating Points (for AHRI): 750 CFM and 563 CFM					
Number Motors: Two 0.75 HP ea, direct drive blower/motor packages					
V	Hz	Phase	FLA (per motor)	Min. Cir. Amps	Max. Overcurrent Protection Device
120	60	Single	9.0	20.3	25
208-230	60	Single	4.5	10.1	15
Standard Features: Non-Fused Disconnect 24 VAC Transformer/Relay Package					
Filters: Two total, MERV 8, 2" pleated, 20" x 20" nominal size					
Weight: 201-272 lbs., varies by option(s) (unit), 325 lbs (shipping weight, on pallet)					
Shipping Dimensions: 30" L x 42" W x 71" H					

Performance



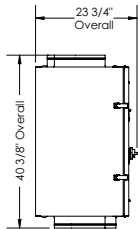
At AHRI 1060 standard conditions. See all AHRI certified ratings at www.ahrinet.org.

Airflow Performance

Motor HP Phase	External Static Pressure (Inches Water Column)						
	0.0	0.25	0.5	0.75	0.9	1.25	1.5
0.75	970 CFM	925 CFM	860 CFM	795 CFM	750 CFM	635 CFM	480 CFM
Single Phase	1,490 Watts	1,375 Watts	1,270 Watts	1,160 Watts	1,090 Watts	950 Watts	825 Watts

Note: Watts is for the entire unit (two motors).

Dimensions

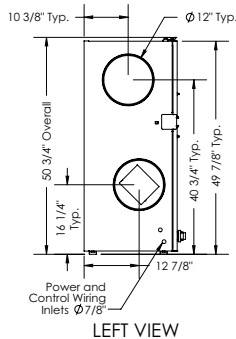


ABBREVIATIONS
 EA: Exhaust Air to Outside
 OA: Outside Air Intake
 RA: Room Air to be Exhausted
 FA: Fresh Air to Inside

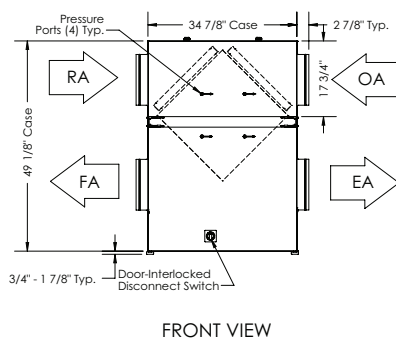
INSTALLATION ORIENTATION
 Unit may be installed in any orientation.

NOTE
 UNLESS OTHERWISE SPECIFIED,
 DIMENSIONS ARE ROUNDED TO THE
 NEAREST EIGHTH OF AN INCH.

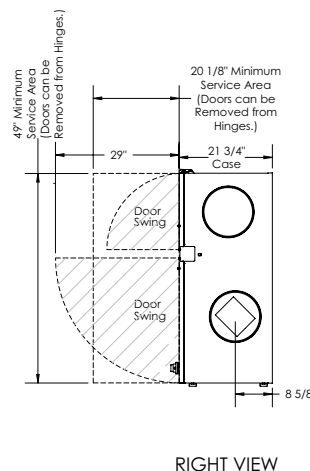
TOP VIEW



LEFT VIEW



FRONT VIEW



RIGHT VIEW

All specifications are subject to change without notice unless approved in submittal by S&P.
 TRC800V_Submittal_052119

