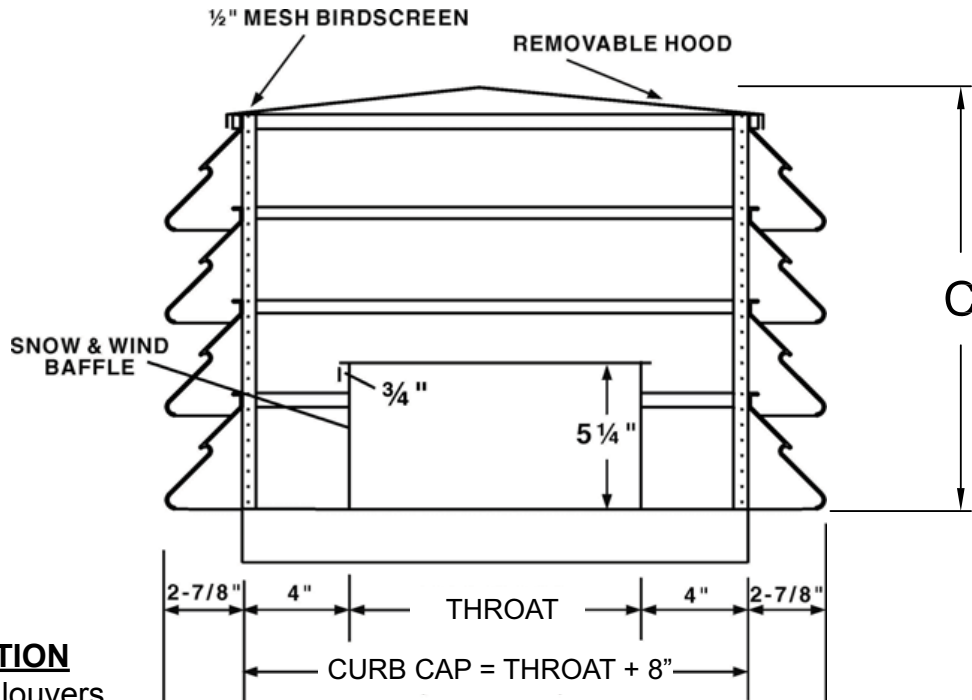




P: 800.961.7370
www.solerpalau-usa.com

MODEL RLX INTAKE/RELIEF ALUMINUM LOUVERED PENTHOUSE



STANDARD CONSTRUCTION

- Heavy-gauge aluminum louvers.
- Aluminum roof with cross-breaks.
- Mitered curb cap base with welded corners.
- Birdscreen - 1/2" x 1" galvanized mesh wire.
- Removable roof for interior access.

ITEM	CFM	SP (IN.WG)	THROAT VELOCITY FPM	THROAT SIZE		HEIGHT ABOVE CURB	# OF LOUVERS
				LENGTH	WIDTH		
1							
2							
3							
4							
5							

- Specify unit by throat lengths, width and height above curb when ordering.
- Sizes greater than 84" ship in multiple pieces.

ACCESSORY ITEMS	1	2	3	4	5	ACCESSORY ITEMS	1	2	3	4	5
<input type="checkbox"/>						<input type="checkbox"/>					
<input type="checkbox"/>						<input type="checkbox"/>					
<input type="checkbox"/>						<input type="checkbox"/>					
<input type="checkbox"/>						<input type="checkbox"/>					
<input type="checkbox"/>						<input type="checkbox"/>					