



MODEL IFAB and IFEB

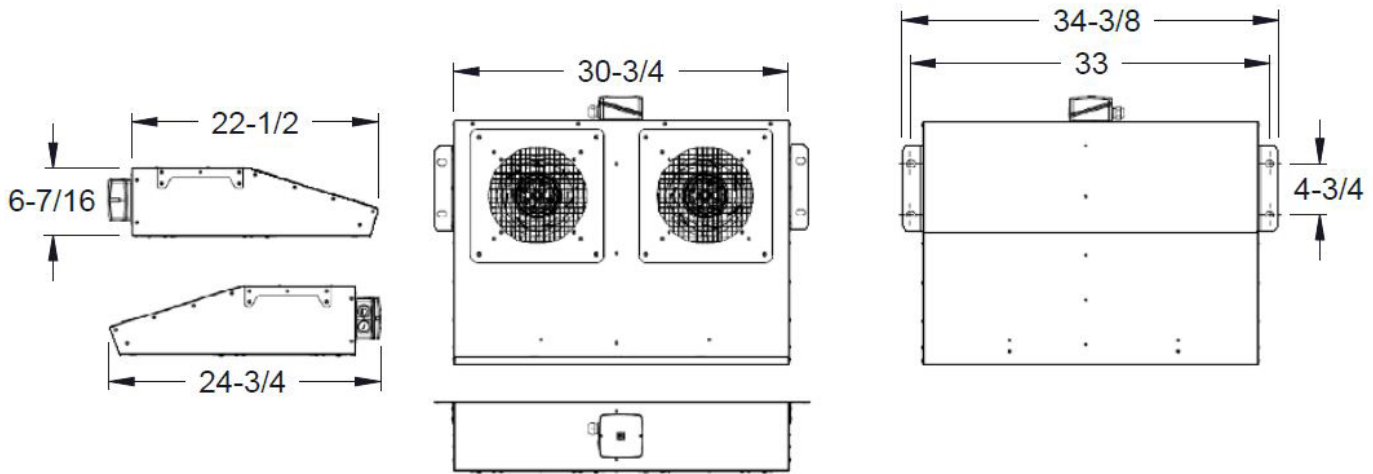
Compact Centrifugal Jet Fan



FEATURES

- Low profile design for low ceiling heights
- Thrust air at 12N or 11N
- Air flow up to 1530 CFM
- cULus 705 Listed
- Available in 60 Hz, 115V or 230V
- Industry Best 5 year housing warranty, 1 year motor
- IFEB uses an EC motor for extra efficiency
- IFAB uses an AC motor

DIMENSIONS



PERFORMANCE

Model	Number of Poles	RPM	Thrust	Flow (CFM)	Nominal Power (kW)	Full Load Current 115V (A)	Full Load Current 230V (A)	Frequency (Hz)	Sound Level (LwA)	Weight (lb)*
IFAB	2	3000	12	1530	0.77	6.6	3.3	60	87	42
IFEB	2	2650	11	1350	0.235	2.3	1.5	60	87	42

*Approximate unit weight includes an average cataloged motor, and no crating