



P: 800.961.7370
www.solerpalau-usa.com

AUTOMATIC WALL SHUTTER- SINGLE OR DOUBLE PANEL MODEL FGS

FEATURES

Frame

- Fiberglass pultrusion.
- Integrated weather stripping incorporated into frame for additional strength and weather protection.
- Prepunched oblong mounting holes.

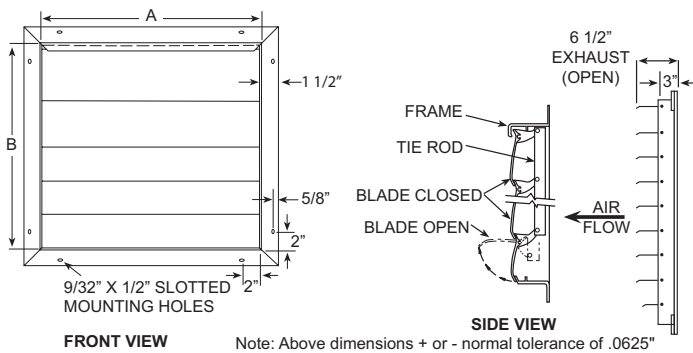
Ratings

- Maximum recommended velocity is 2,500 FPM
Temperature - -40 F to 180 F

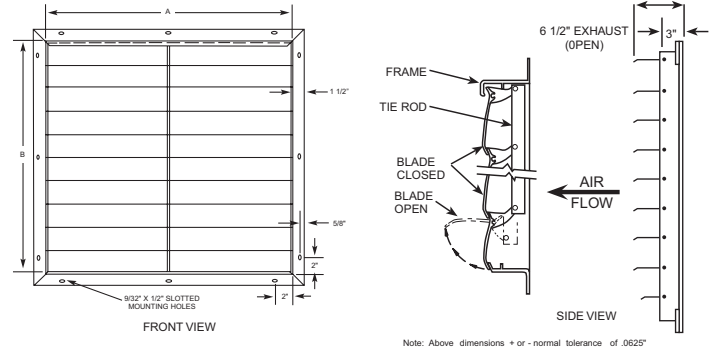
Blades

- Fiberglass pultrusion.
- Center-mounted stainless steel tie-rod connects blades for uniform opening and closing.
- 304 stainless steel screws, pins, rivets and bushings.
- Opens freely to allow full 90 degree opening and closing.

Single Panel



Double Panel



Dimensions in Inches

Part No.	Inside Frame Dimensions (W x H)	Overall Frame Dimensions (W x H)	Required Hole Opening (W x H)	Face Area (Sq. Ft.)	Est. Free Area (Sq. Ft.)	No. of Panels	Est. Shipping Weight (lbs)
FGS12	12 x 12	15 x 15	12.5 x 12.5	1.00	.79	1	5.5
FGS16	16 x 16	19 x 19	16.5 x 16.5	1.78	1.44	1	6
FGS20	20 x 20	23 x 23	20.5 x 20.5	2.78	2.28	1	8.5
FGS24	24 x 24	27 x 27	24.5 x 24.5	4.00	3.32	1	11
FGS30	30 x 30	33 x 33	30.5 x 30.5	6.25	5.16	1	15
FGS36	36 x 36	39 x 39	36.5 x 36.5	9.00	7.44	1	20
FGS42	42 x 42	45 x 45	42.5 x 42.5	12.25	10.25	2	28
FGS48	48 x 48	51 x 51	48.5 x 48.5	16.00	12.92	2	35

Note: Dimensions are approximate due to normal tolerances in the manufacturing process. Estimated Free Area calculation is based upon the following formula: $MD[A+B+(N \times C)]/144$. Free Area x FPM = CFM; actual performance may vary.

