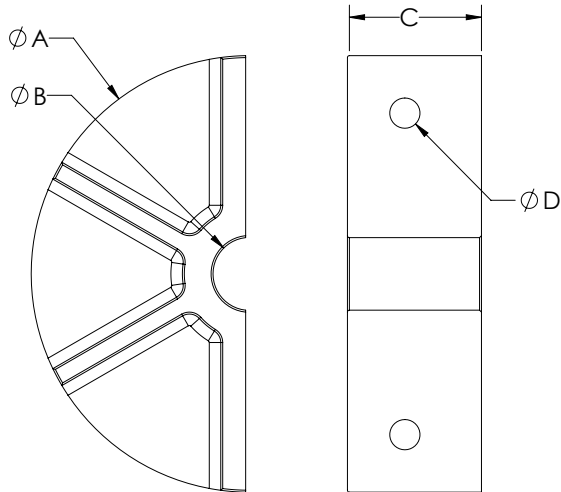
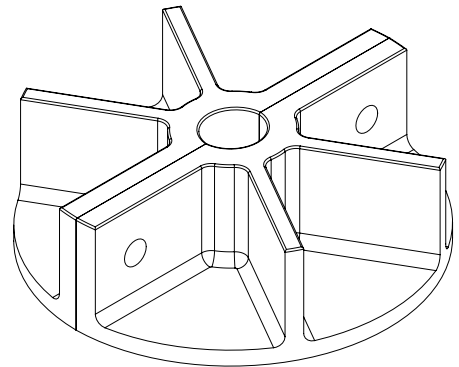




HEAT SLINGER FOR SERIES CM

Features

- 2-Part cast aluminum cooling disk mounted on the fan shaft between the inboard bearing and fan housing.
- The disc dissipates heat conducted along the fan shaft and promotes air circulation in the motor compartment.
- Extends motor and bearing life.
- Comes standard when ordering cULus793 listing.



CM MODEL	A (IN)	B (IN)	C (IN)	D (IN)
10	4-1/2	3/4	1-3/8	5/16
12-16	4-1/2	1	1-3/8	5/16
18-24	8-11/16	1-1/2	1-3/8	7/16
27-30	10-1/4	1-3/4	1-7/16	7/16
36	10-1/4	2-3/16	1-7/16	7/16

NOTE: DIMENSIONS ROUNDED TO NEAREST 1/16"

ACCESSORY MODEL	1	2	3	4	5	REMARKS

Project: _____	Submitted: _____
Customer: _____	Approved: _____
Location: _____	

Soler & Palau will not be responsible for fabrication changes or errors resulting from customer use of a non-current submittal drawing.