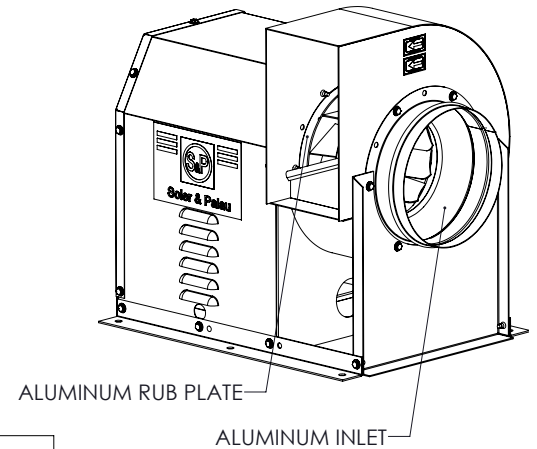
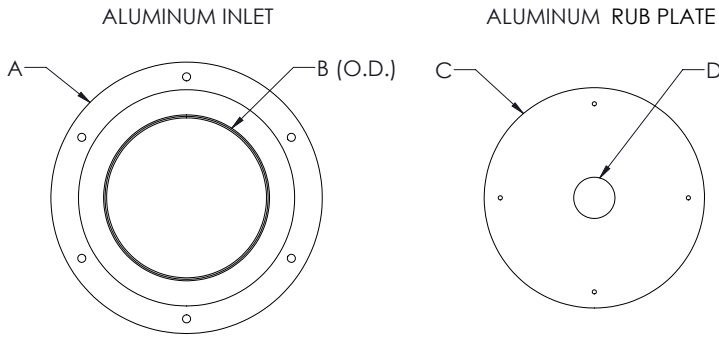




AMCA C ASSEMBLY KIT FOR SERIES CM



CM MODEL	A (IN)	B (IN)	C (IN)	D (IN)	NO. RIVETS
10	12-5/8	7-3/4	10-1/4	1-15/16	4
12	15-1/16	9-3/16	13-1/16	1-15/16	4
14	16-5/8	10-1/4	14-11/16	1-15/16	4
16	18-1/4	11-9/16	16-3/8	1-15/16	4
18	20-1/4	12-7/8	18-5/16	1-15/16	6
20	22-7/16	14-1/2	20-3/8	1-15/16	6
22	25-1/16	16-3/8	22-15/16	1-15/16	6
24	27-15/16	18-5/16	25-5/8	1-15/16	6
27	30-7/8	20-7/16	28-11/16	2-1/2	8
30	34-5/16	23	31-7/8	2	8
36	38	25-11/16	35-13/16	2-11/16	8

NOTE: DIMENSIONS ROUNDED TO NEAREST 1/16"

ACCESSORY MODEL	1	2	3	4	5	REMARKS

Project: _____	Submitted: _____
Customer: _____	Approved: _____
Location: _____	

Soler & Palau will not be responsible for fabrication changes or errors resulting from customer use of a non-current submittal drawing.