



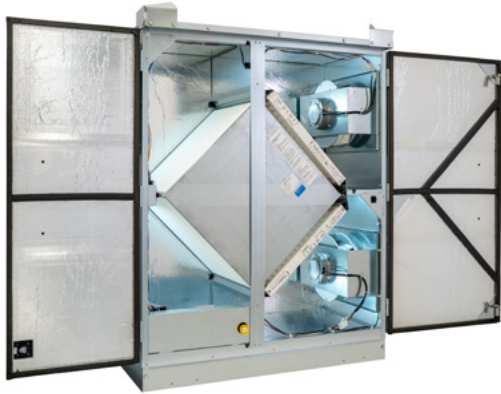
# TRCeN 800RT-230-1P

TRCeN800RTH-230-1P, TRCeN800RTV-230-1P

## ENERGY RECOVERY VENTILATOR EC MOTOR



### ROOFTOP UNIT



Energy recovery core is AHRI Certified®



### SPECIFICATIONS

**Ventilation Type:** Static plate, heat and humidity transfer

**Airflow Range:** 250–1100 CFM

**AHRI 1060 Certified Core:** One L125-G5

**Standard Features:**

- Non-fused disconnect
- 24VAC transformer/relay package
- Cross-core differential pressure ports
- Independent blower control

**Filters:**

Total Qty. 2, MERV 8: 20" x 20" x 2"

**Unit Weight:** 271 lbs.

**Max. Shipping Dimensions & Weight (on pallet):**

60" L x 32" W x 82 1/4" H  
311 lbs.

**Motor(s):**

Qty. 2, 370W ea., Direct drive EC motorized impeller packages (208–230V/1Ph/60Hz)

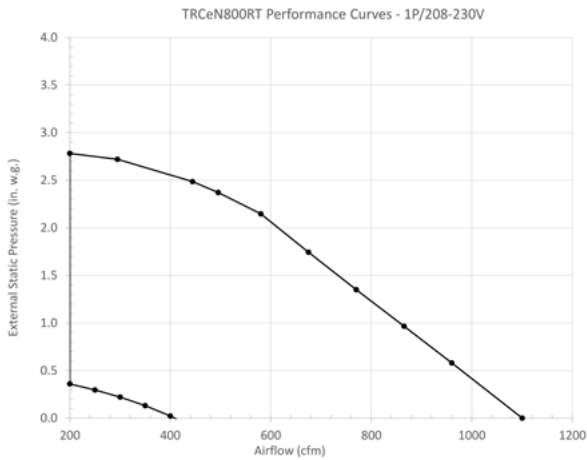
**Optional Electrical Accessories:**

- STC7D-W: Digital Time Clock (wall mount)
- SMC-C: Motion Occupancy Control (ceiling mount)
- SMC-W: Motion Occupancy Control (wall mount)
- SCO2-W: CO2 Control (wall mount)

**Optional TRC-RT General Accessories:**

- BD12: 12" Backdraft Damper
- 147600: TRCeN800RTH/V 10HEDF Rectangular 14" x 14" Flange Kit (2 per kit)
- 147384: HE10RT Roof Curb (TRCEN800RT)
- 1XHECC: TRCEN800RT Tie Down Clip Kit
- 990083: MERV8 (20" x 20" x 2" filter)
- 990303: MERV13 (20" x 20" x 2" filter)

### EC MOTOR OPERATING RANGE AND FAN PERFORMANCE



TRCeN800RT MOTOR 1P/208–230V		
Airflow (CFM)	Standard EC	
	External Static Pressure (Inches Water Column)	Unit Power Consumption (Watts)
200	2.78	566
295	2.72	658
444	2.48	791
495	2.37	832
580	2.15	894
675	1.74	900
770	1.35	900
865	0.97	900
960	0.58	900
1100	0.00	900

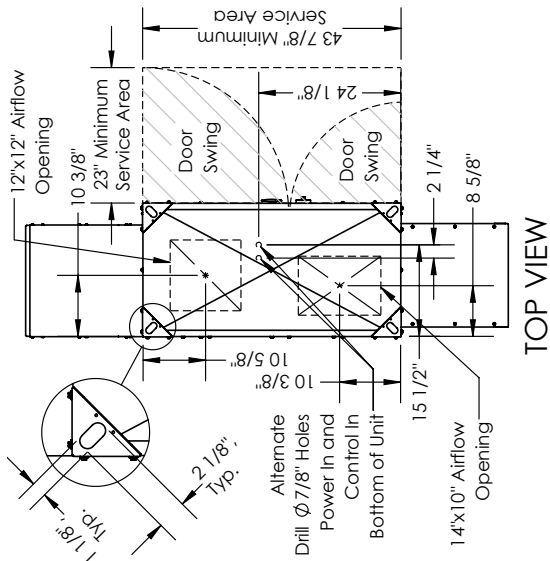
Note: Airflow performance includes effect of clean, standard filter supplied with unit.

### ELECTRICAL DATA

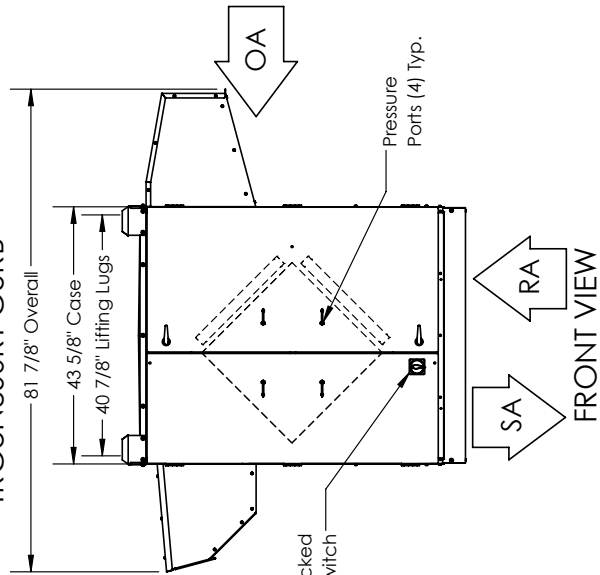
Watts	Volts	Hz	Phase	Motor Full Load Amperage (FLA) per Motor	Max. Amp Drawn by the Unit	Min. Circuit Ampacity	Max. Overcurrent Protection Device
370	208–230	60	Single	1.73	3.46	3.9	15



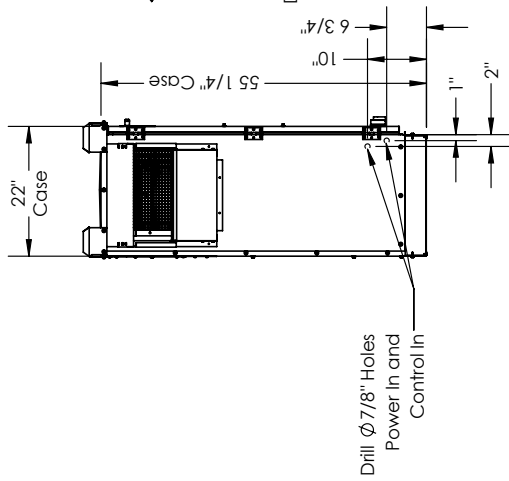
# TRCeN800RTV-230-1P ENERGY RECOVERY VENTILATOR EC MOTOR



TOP VIEW



FRONT VIEW



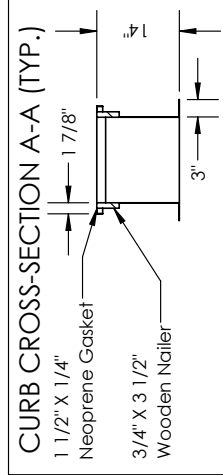
LEFT VIEW

**ABBREVIATIONS**  
 EA: Exhaust Air To Outside  
 OA: Outside Air Intake  
 RA: Room Air To be Exhausted  
 SA: Supply Air To Inside  
 RTV: Rooftop Vertical RA & SA

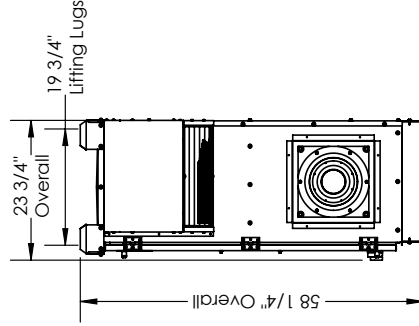
**INSTALLATION ORIENTATION**  
 Unit must be installed in orientation shown.

**NOTE**  
 1. UNLESS OTHERWISE SPECIFIED, DIMENSIONS ARE ROUNDED TO THE NEAREST EIGHTH OF AN INCH.

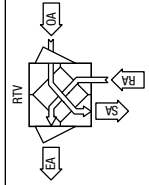
2. SPECIFICATIONS MAY BE SUBJECT TO CHANGE WITHOUT NOTICE.



CURB CROSS-SECTION A-A (TYP.)



RIGHT VIEW

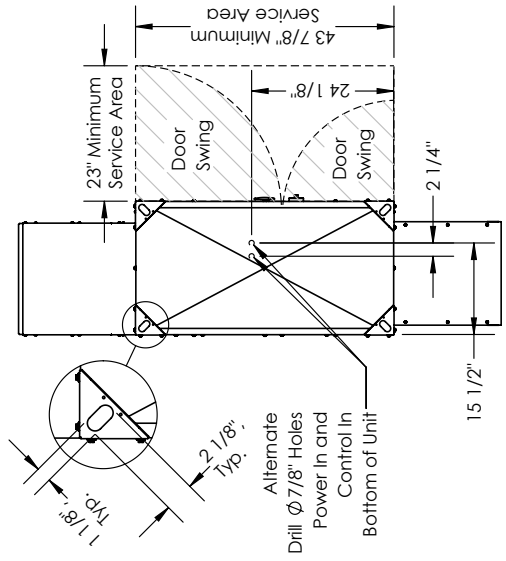


**AIRFLOW ORIENTATION**  
 Available as shown:

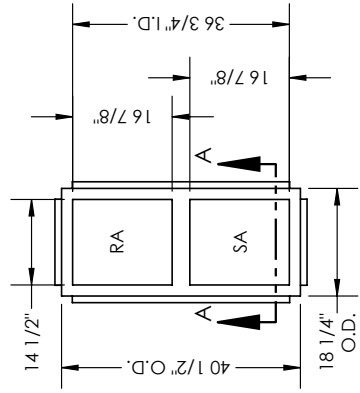


**UNIT MOUNTING & APPLICATION**  
 Must be mounted as shown. Airstreams cannot be switched.

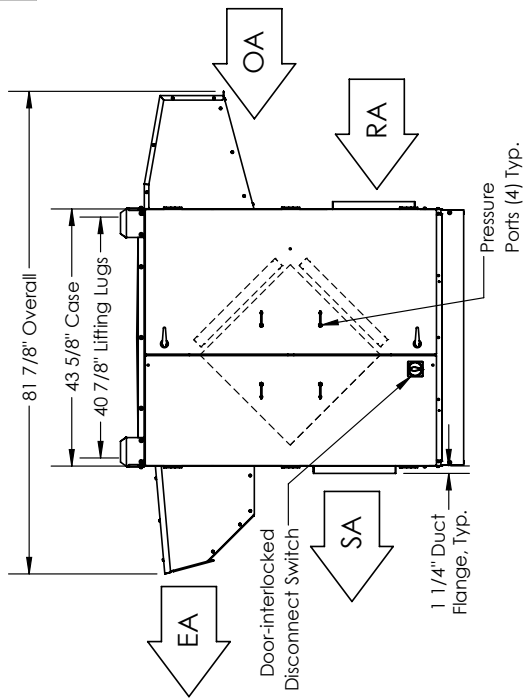
**TRCeN800RTH-230-1P** ENERGY RECOVERY VENTILATOR EC MOTOR



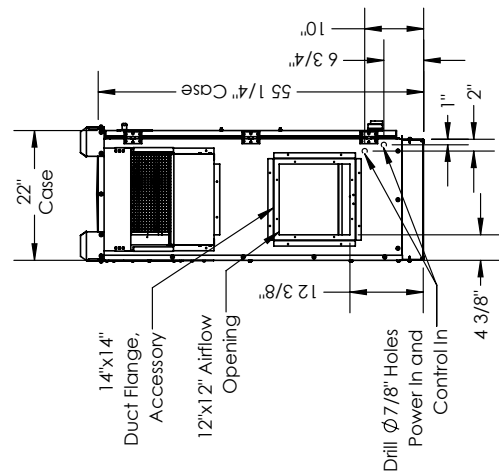
**TOP VIEW**



**TRCeN800RT CURB**



**FRONT VIEW**



**LEFT VIEW**

**ABBREVIATIONS**

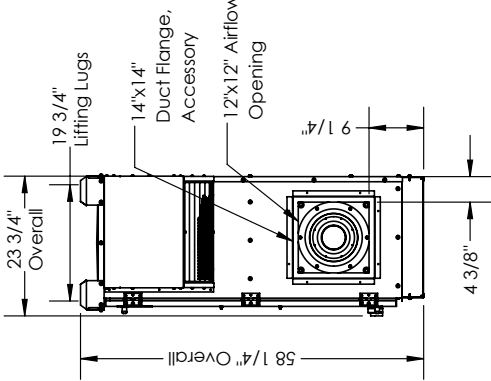
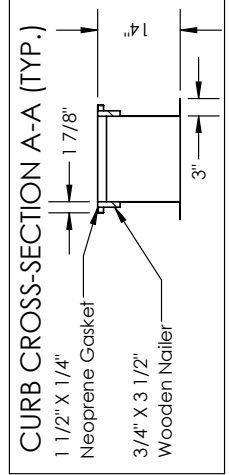
- EA: Exhaust Air to Outside
- OA: Outside Air Intake
- RA: Room Air to be Exhausted
- SA: Supply Air to Inside
- RTH: Rooftop Horizontal RA & SA

**INSTALLATION ORIENTATION**

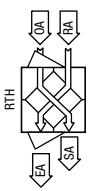
Unit must be installed in orientation shown.

**NOTE**

1. UNLESS OTHERWISE SPECIFIED, DIMENSIONS ARE ROUNDED TO THE NEAREST EIGHTH OF AN INCH.
2. SPECIFICATIONS MAY BE SUBJECT TO CHANGE WITHOUT NOTICE.



**RIGHT VIEW**



**AIRFLOW ORIENTATION**  
Available as shown:



**UNIT MOUNTING & APPLICATION**  
Must be mounted as shown. Airstreams cannot be switched.

