



TRCe 1200RT-230-1P

TRCe I200RTH-230-1P, TRCe I200RTV-230-1P

ENERGY RECOVERY VENTILATOR EC MOTOR



ROOFTOP UNIT



Energy recovery core is AHRI Certified®



SPECIFICATIONS

Ventilation Type: Static plate, heat and humidity transfer

Airflow Range: 375–1,378 CFM

AHRI 1060 Certified Core:

One L62-G5 and one L125-G5

Standard Features:

Non-fused disconnect
24VAC transformer/relay package
Cross-core differential pressure ports

Filters:

Total qty. 4, MERV 8: (2) 14" x 20" x 2"
and (2) 16" x 20" x 2"

Unit Weight: 387 lbs.

Max. Shipping Dimensions & Weight (on pallet):

70" L x 47" W x 83" H
456 lbs.

Motor(s):

Qty. 2, 480 watts ea., Direct drive standard motorized impellers

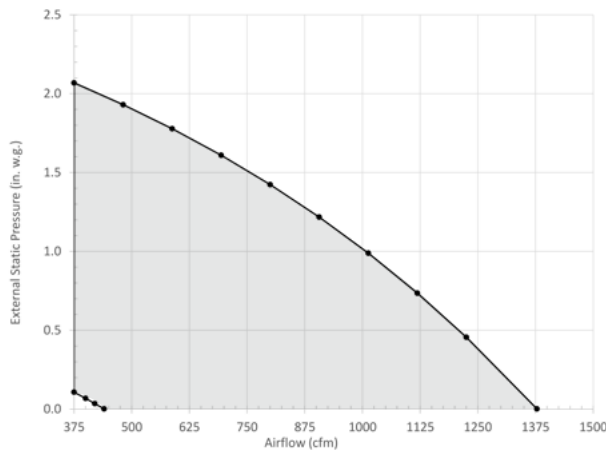
Optional Electrical Accessories:

STC7D-W: Digital Time Clock (wall mount)
SMC-C: Motion Occupancy Control (ceiling mount)
SMC-W: Motion Occupancy Control (wall mount)
SCO2-W: CO2 Control (wall mount)

Optional TRC-RT General Accessories:

190101: Roof Curb (CURB1.5) (TRC 1200RT)
1.5XHECC: TRC 1200RT Tie Down Clip Kit
990080: MERV8 (14" x 20" x 2" filter)
990229: MERV8 (16" x 20" x 2" filter)
990300: MERV13 (14" x 20" x 2" filter)
990301: MERV13 (16" x 20" x 2" filter)

AIRFLOW PERFORMANCE



Airflow (CFM)	External Static Pressure (Inches Water Column)	Unit Power Consumption (Watts)
375	2.07	710
481	1.93	765
588	1.78	814
694	1.61	859
800	1.42	899
906	1.22	933
1013	0.99	963
1119	0.74	987
1225	0.46	1006
1378	0.00	1024

Note: Watts is for the entire unit (2 motors). Airflow performance includes effect of clean, standard filter supplied with unit.

ELECTRICAL DATA

Watts	Volts	Hz	Phase	Motor Full Load Amperage (FLA) per Motor	Max. Amp Drawn by the Unit	Min. Circuit Ampacity	Max. Overcurrent Protection Device
480	208–230	60	Single	3.4	6.8	7.7	15

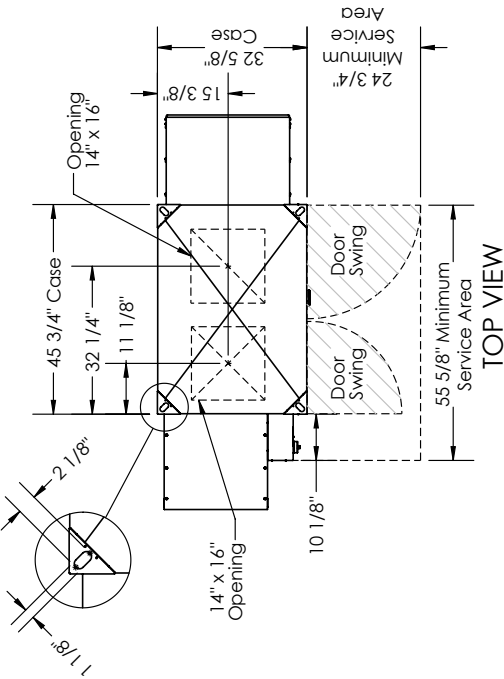


TRC1200RTV-230-3P, TRCe1200RTV-230-1P ENERGY RECOVERY VENTILATOR

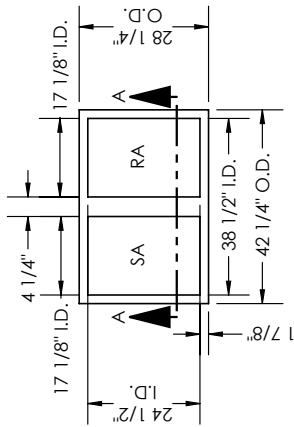
ABBREVIATIONS
 EA: Exhaust Air to outside
 OA: Outside Air intake
 RA: Room Air to be exhausted
 SA: Supply Air to inside
 RTV: Rooftop Vertical RA & SA

INSTALLATION ORIENTATION
 Unit must be installed in orientation shown.

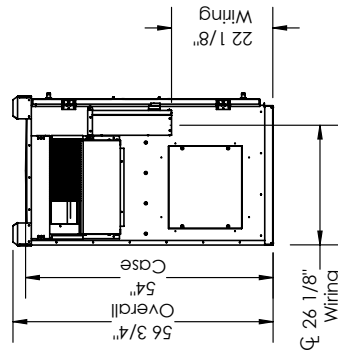
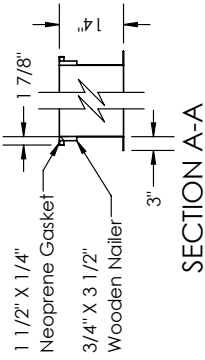
NOTE:
 1. UNLESS OTHERWISE SPECIFIED, DIMENSIONS ARE ROUNDED TO THE NEAREST EIGHTH OF AN INCH.
 2. SPECIFICATIONS MAY BE SUBJECT TO CHANGE WITHOUT NOTICE.



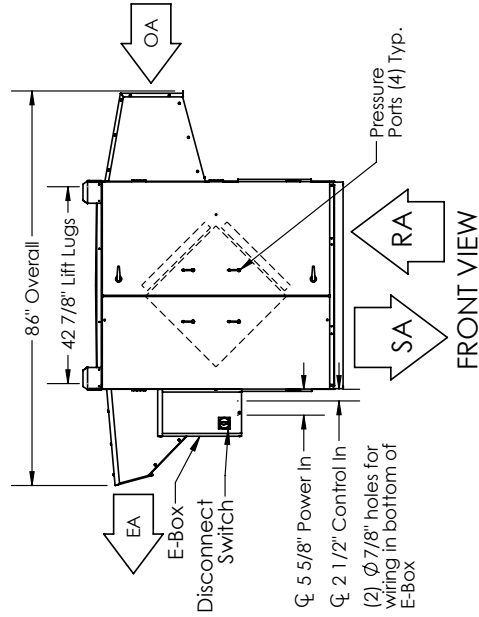
TRC1200RTV CURB



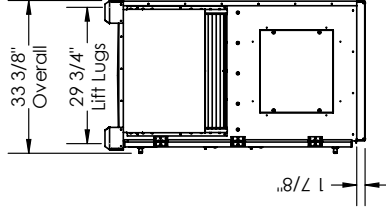
CURB CROSS-SECTION A-A (TYP.)



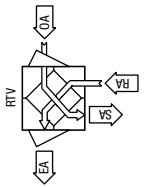
LEFT VIEW



FRONT VIEW



RIGHT VIEW



AIRFLOW ORIENTATION
 Available as shown:

UNIT MOUNTING & APPLICATION
 Must be mounted as shown. Airstreams cannot be switched.

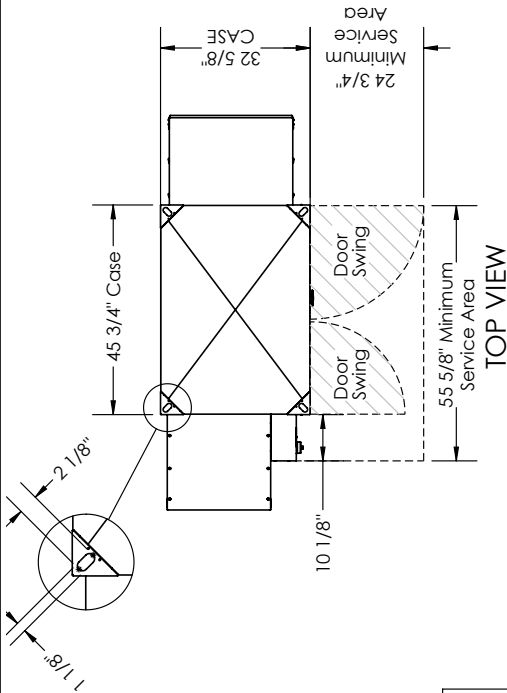


TRC1200RTH-230-3P, TRCe1200RTH-230-1P ENERGY RECOVERY VENTILATOR

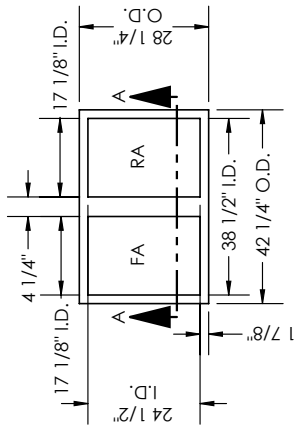
ABBREVIATIONS
 EA: Exhaust Air to outside
 OA: Outside Air intake
 RA: Room Air to be exhausted
 SA: Supply Air to inside
 RTH: Rooftop Horizontal RA & FA

INSTALLATION ORIENTATION
 Unit must be installed in orientation shown.

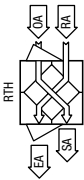
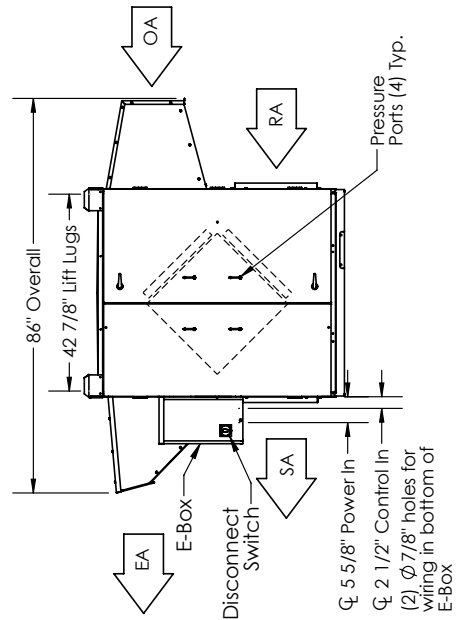
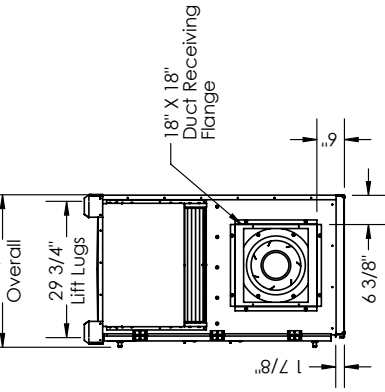
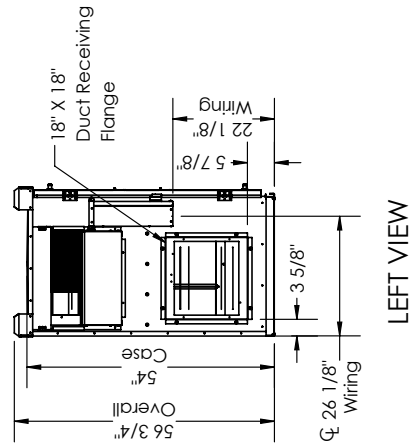
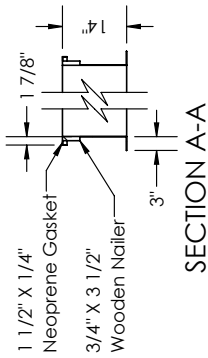
NOTE:
 1. UNLESS OTHERWISE SPECIFIED, DIMENSIONS ARE ROUNDED TO THE NEAREST EIGHTH OF AN INCH.
 2. SPECIFICATIONS MAY BE SUBJECT TO CHANGE WITHOUT NOTICE.



TRC1200RT CURB



CURB CROSS-SECTION A-A (TYP.)



AIRFLOW ORIENTATION
 Available as shown.



UNIT MOUNTING & APPLICATION
 Must be mounted as shown. Airstreams cannot be switched.