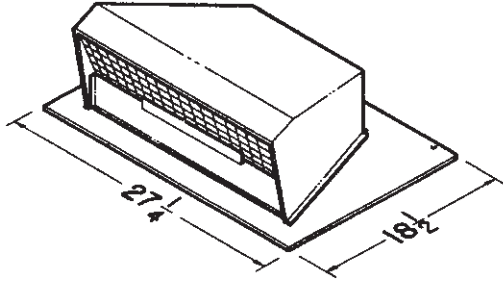


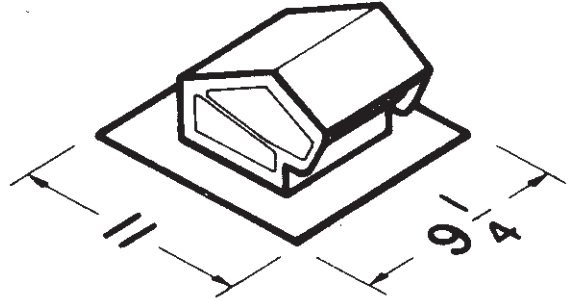


# CEILING AND IN-LINE VENTILATOR ACCESSORIES

## ROOF CAPS FOR FF/FFC UNITS

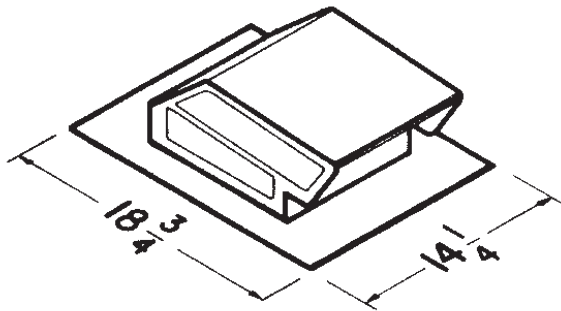


- Model 437**
- High capacity design - up to 1200 CFM
  - Built-in birdscreen
  - Steel, black electrically - bonded epoxy finish



- Model 636**
- Black electrically - bonded epoxy finish
  - Built-in backdraft damper & birdscreen
  - For 3" or 4" round duct

- Model 636AL**
- Same as Model 636 - except Aluminum
  - Natural finish



- Model 634**
- Black electrically - bonded epoxy finish
  - Built-in backdraft damper & birdscreen
  - For 3 1/4" x 10" or up to 8" round duct

- Model 644**
- Same as Model 634 - except Aluminum
  - Natural finish

Project: _____	Submitted: _____
Customer: _____	Approved: _____
Location: _____	

Subject to change unless approved in submittal by Soler & Palau

