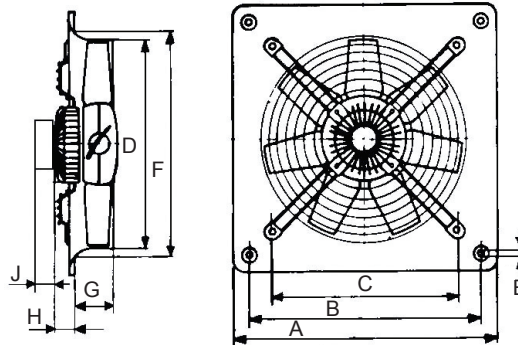




P: 800.961.7370
www.solerpalau-usa.com

MODEL WA - Compact Wall Axial

(For Industrial and Commercial Applications)



Dimensions inches/mm

Model	A	B	C	D	E	F	G	H	J	Weight lbs(kgs)
WA 12	15 ^{3/4} 400	12 ^{15/16} 330	11 280	12 ^{7/16} 315	3/8 10	12 ^{15/16} 329	2 ^{7/8} 73	1 ^{1/4} 32	2 ^{1/2} 64	15 7
WA 16	19 ^{11/16} 500	16 ^{5/8} 420	13 ^{15/16} 355	15 ^{3/4} 400	3/8 10	16 ^{5/8} 422	3 ^{1/16} 78	1 ^{5/8} 41	2 ^{1/2} 64	20 9
WA 18	22 ^{1/16} 560	18 ^{3/4} 480	15 ^{3/4} 400	17 ^{3/4} 450	3/8 10	18 ^{3/4} 476	3 ^{3/4} 95	1 ^{5/8} 41	2 ^{1/2} 64	29 13
WA 20	24 ^{13/16} 630	21 ^{1/8} 537	17 ^{3/4} 450	19 ^{11/16} 500	3/8 10	21 ^{1/8} 536	3 ^{7/8} 98	1 ^{3/4} 44	2 ^{1/2} 64	34 15



FAN DATA					
Fan No.	Qty.	Model No.	CFM	SP	RPM

For more information contact us at www.solerpalau-usa.com or 1.800.961.7370 for additional submittal drawings.

MOTOR DATA					
AMPS	RPM	VOLTS	PH	HZ	ENCLOSURE

Soler & Palau will not be responsible for fabrication changes or errors resulting from customer use of a non-current submittal drawing.

ACCESSORIES	1	2	3	4	5	REMARKS