

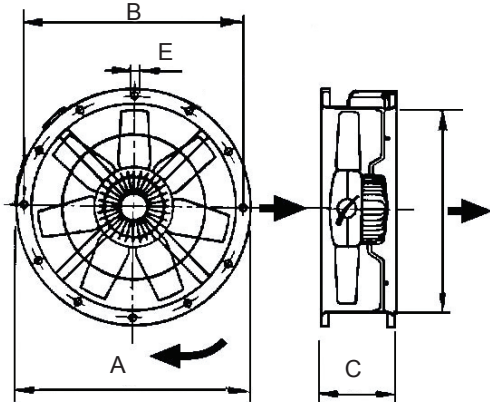


P: 800.961.7370  
www.solerpalau-usa.com

# MODEL DA - Compact Duct Axial

(For Industrial and Commercial Applications)

### Dimensions inches/mm



Model	A	B	C	D	E	Weight (lbs)
DA 12	15 <sup>3/16</sup> 386	14 356	6 <sup>11/16</sup> 170	12 <sup>7/16</sup> 316	3/8 10	22
DA 16	19 <sup>3/16</sup> 487	17 <sup>3/4</sup> 451	6 <sup>11/16</sup> 170	15 <sup>3/4</sup> 400	1/2 13	31
DA 18	21 <sup>1/8</sup> 537	19 <sup>11/16</sup> 500	7 <sup>1/8</sup> 181	17 <sup>3/4</sup> 451	1/2 13	40
DA 20	23 <sup>7/16</sup> 595	22 <sup>1/16</sup> 560	7 <sup>1/8</sup> 181	19 <sup>11/16</sup> 500	1/2 13	49



FAN DATA					
Fan No.	Qty.	Model No.	CFM	SP	RPM

For more information contact us at [www.solerpalau-usa.com](http://www.solerpalau-usa.com) or 1.800.961.7370 for additional submittal drawings.

MOTOR DATA					
AMPS	RPM	VOLTS	PH	HZ	ENCLOSURE

Soler & Palau will not be responsible for fabrication changes or errors resulting from customer use of a non-current submittal drawing.

ACCESSORIES	1	2	3	4	5	REMARKS