



P: 800.961.7370  
www.solerpalau-usa.com

# VL - Vent Light

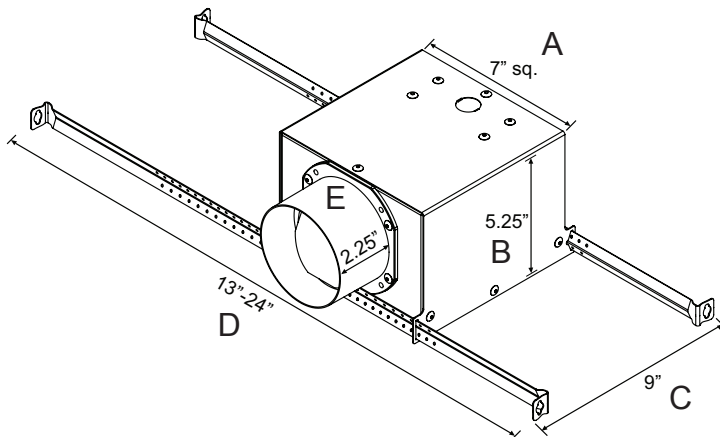


### Features:

- Longer duct collar for 4" duct
- Extendable hanger bars up to 24"
- 7.5" grill
- Built-in backdraft damper
- 3 bulb options

| Model    | Description  |
|----------|--|
| VLH-100  | Vent Light with PAR30 Halogen Bulb                         |
| VLF-100  | Vent Light with Energy Star Rated Compact Fluorescent Bulb |
| VLED-100 | Vent Light with PAR30 LED Bulb                             |

### Dimensions (inches)



| ACCESSORY MODEL | 1 | 2 | 3 | 4 | 5 | REMARKS |
|-----------------|---|---|---|---|---|---------|
|                 |   |   |   |   |   |         |
|                 |   |   |   |   |   |         |
|                 |   |   |   |   |   |         |

|                 |                  |
|-----------------|------------------|
| Project: _____  | Submitted: _____ |
| Customer: _____ | Approved: _____  |
| Location: _____ |                  |

For more information contact us at [www.solerpalau-usa.com](http://www.solerpalau-usa.com) or 1.800.961.7370 for additional submittal drawings.

Soler & Palau will not be responsible for fabrication changes or errors resulting from customer use of a non-current submittal drawing.

