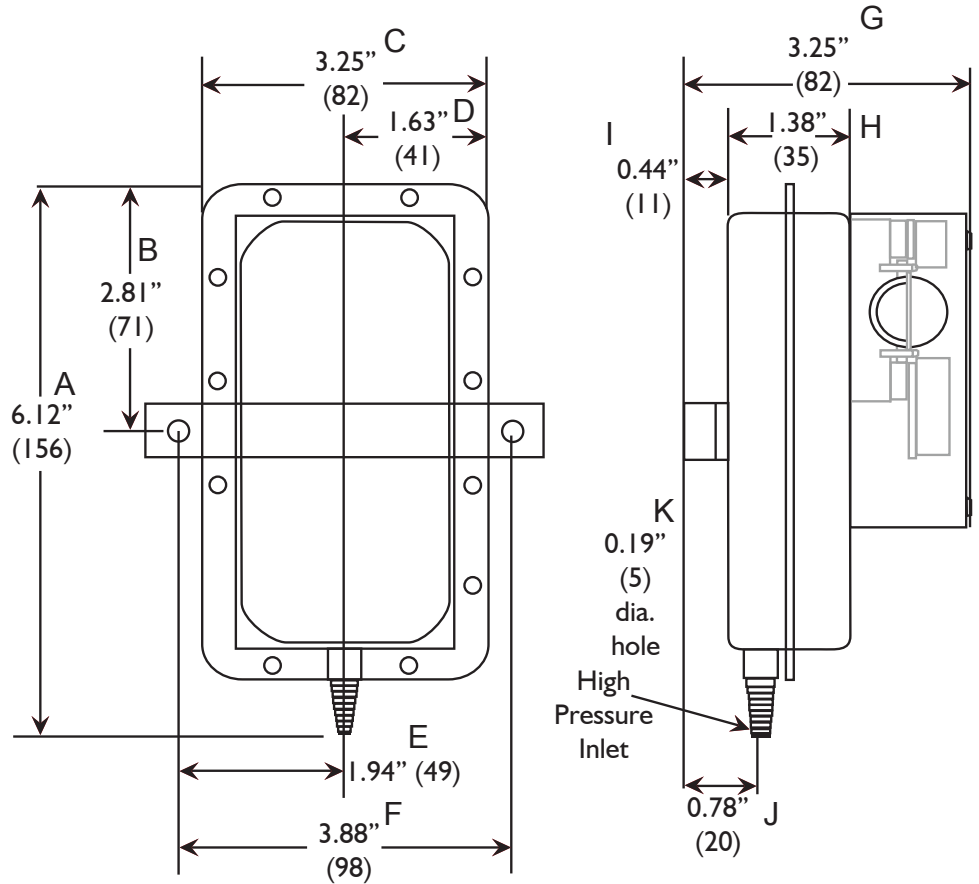




P: 800.961.7370
www.solerpalau-usa.com

SPT-100x - Pressure Switch



Specifications:

Integral recycling delay timer with 10 minute ON, 15 seconds OFF cycle, 120 volt input.

Power: 120 V AC +10%/-15%, 50/60 Hz.

Timing Range: 10 minutes (600 seconds) 10%

Output: SPST NO relay rated for 8 amps (resistive) @ 250 V AC or 1/8 hp @ 250 V AC.

Electrical Connections: Terminal block with clamp-type screw connector suitable for 12-26 AWG.

Temperature Range: -40 to 140 °F (-40 to 60 °C)

ACCESSORY MODEL	1	2	3	4	5	REMARKS

Project: _____	Submitted: _____
Customer: _____	Approved: _____
Location: _____	

For more information contact us at www.solerpalau-usa.com or 1.800.961.7370 for additional submittal drawings.

Soler & Palau will not be responsible for fabrication changes or errors resulting from customer use of a non-current submittal drawing.

