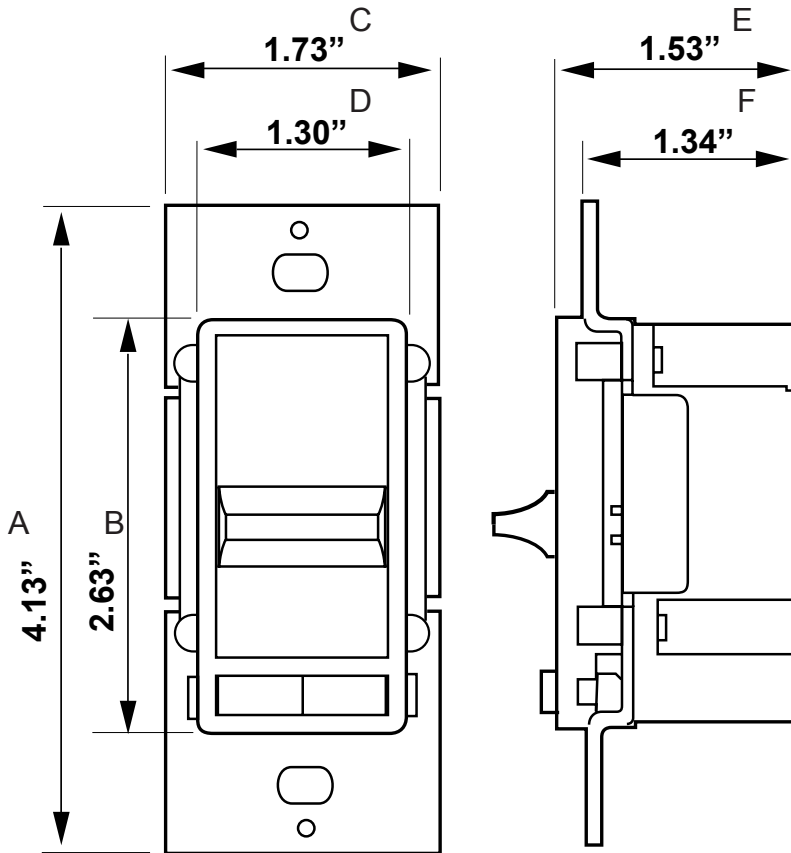




P: 800.961.7370
www.solerpalau-usa.com

SCS5 - Speed Control Slide



Features:

Switch Type: Single-Pole
 Timer Type: SureSlide
 Type: Electro-Mechanical
 Load Type: Incandescent
 Load Rating: 600W
 Voltage: 120 Volt AC 60Hz
 Action: Standard ON/OFF
 Protection: Radio/TV Filter
 Color: White

ACCESSORY MODEL	1	2	3	4	5	REMARKS

Project: _____	Submitted: _____
Customer: _____	Approved: _____
Location: _____	

For more information contact us at www.solerpalau-usa.com or 1.800.961.7370 for additional submittal drawings.

Soler & Palau will not be responsible for fabrication changes or errors resulting from customer use of a non-current submittal drawing.

