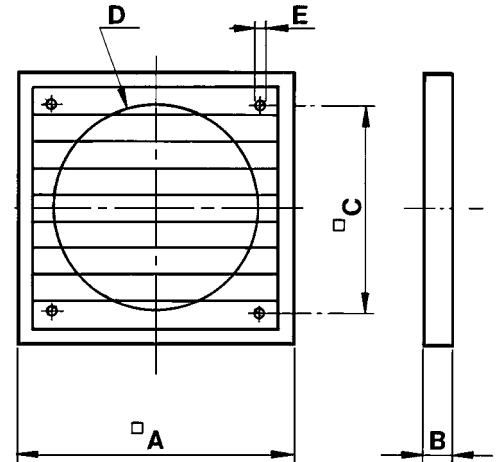


# PER-W - Plastic Louvre Shutter

Backdraft louvre shutter to be installed at the fan discharge

## Dimensions inches/mm

Model	A	B	C	D	E
PER-100W	5 <sup>15/16</sup> 151	5/8 16	5 <sup>1/2</sup> 140	4 <sup>3/16</sup> 106	3/16 5
PER-125W	8 203	9/16 14	7 <sup>1/2</sup> 191	5 127	3/16 5
PER-150W	8 203	9/16 14	7 <sup>1/2</sup> 191	6 152	3/16 5
PER-200W	9 <sup>9/16</sup> 243	13/16 21	7 <sup>1/4</sup> 184	8 <sup>1/16</sup> 205	3/16 5
PER-250W	11 <sup>9/16</sup> 294	1 26	9 <sup>3/16</sup> 233	10 <sup>1/4</sup> 260	3/16 5
PER-355W	15 <sup>1/2</sup> 394	1 26	12 <sup>3/16</sup> 310	14 <sup>3/16</sup> 360	3/16 5
PER-400W	18 457	1 26	14 <sup>3/8</sup> 365	16 <sup>9/16</sup> 420	3/16 5
PER-450W	19 <sup>5/8</sup> 499	1 <sup>1/4</sup> 31	15 <sup>9/16</sup> 395	18 <sup>1/8</sup> 460	3/16 5



ACCESSORY MODEL	1	2	3	4	5	REMARKS

Project: _____	Submitted: _____
Customer: _____	Approved: _____
Location: _____	

Soler & Palau will not be responsible for fabrication changes or errors resulting from customer use of a non-current submittal drawing.