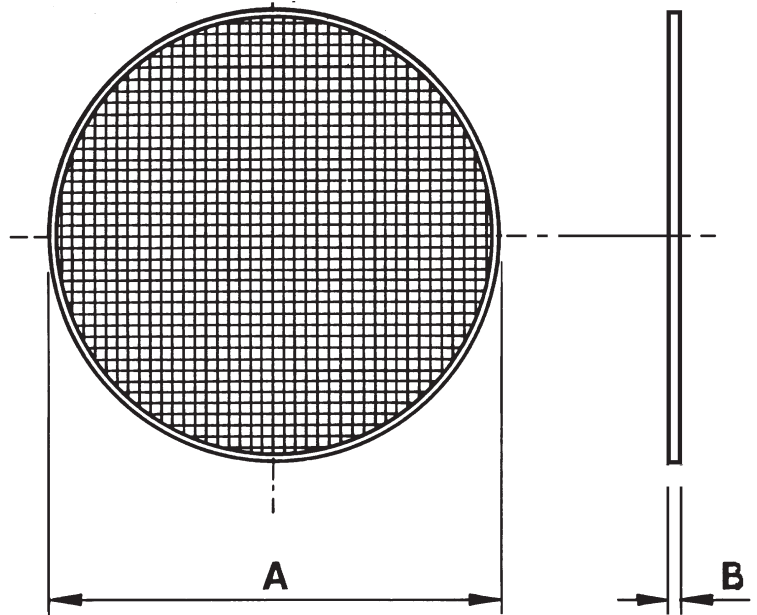




P: 800.961.7370  
www.solerpalau-usa.com

# DEF-T - Wire Guard



### Dimensions inches/mm

Model	A	B
DEF-315T	14.96 / 380	0.12 / 3
DEF-400T	18.70 / 475	0.12 / 3
DEF-450T	20.67 / 525	0.12 / 3
DEF-500T	23.43 / 595	0.12 / 3

ACCESSORY MODEL	1	2	3	4	5	REMARKS

Project: _____	Submitted: _____
Customer: _____	Approved: _____
Location: _____	

For more information contact us at [www.solerpalau-usa.com](http://www.solerpalau-usa.com) or 1.800.961.7370 for additional submittal drawings.

Soler & Palau will not be responsible for fabrication changes or errors resulting from customer use of a non-current submittal drawing.

