



**TD-4000/355**

**TD-6000/400**

Instrucciones de montaje

Instruction leaflet

Notice de montage

Montageanweisungen

Montage-en gebruiksaanwijzing

Instrucções para a montagem

Istruzioni per l'installazione

Användar instruktion

Brugervejledning

Instrukcja obsługi

Návod



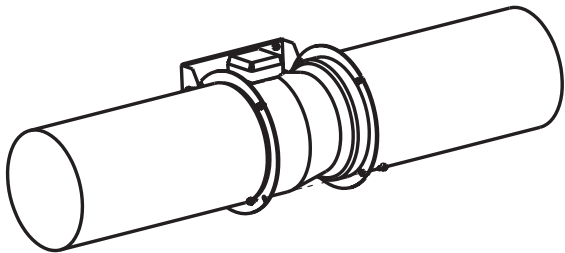
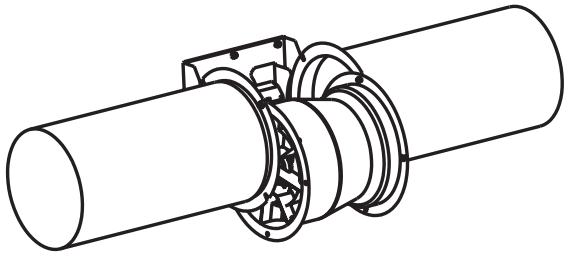
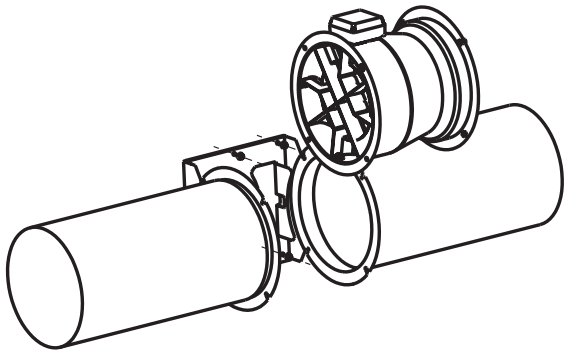


Fig.1

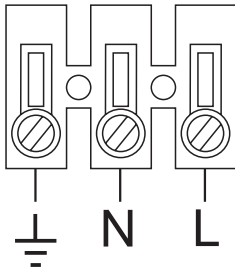


Fig.2

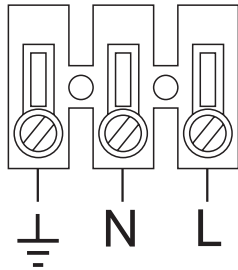
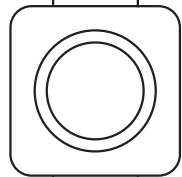


Fig.3



REB

## ENGLISH

### TD-MIXVENT

#### Installation and wiring instructions for in-line duct fans.

The TD-MIXVENT range of in-line duct extractor fans have been manufactured in accordance with the rigorous standards of production and quality control laid down by the international Quality Standard ISO 9001. All components have been checked and each of the finished products has been tested at the end of the manufacturing process.

We recommend that you check the following when receiving this product:

- That it is the correct size and model.
- That the details on the rating label are those you require; voltage, frequency, performance...

#### IMPORTANT SAFETY INFORMATION

- The installation should always be carried out in accordance with all current applicable Standards to the country in which the product is installed.
- The installation should always be carried out by a suitably qualified and competent person(s).
- These fans are not for stand-alone use. They are designed to be incorporated into ducted systems, machines or where safe operation has been ensured by providing applicable protection to moving parts.
- Do not use this product in, or to extract from, potentially hazardous or explosive atmospheres.
- If the extractor operates in a room with a boiler or any other type of appliance requiring air for combustion, check that air replacement inlets are sufficiently sized.
- The extractor outlet must not be connected to a duct used to exhaust smoke or fumes from any appliance that uses gas or any other type of fuel.

#### INSTALLATION

- This unit must not be installed outside, unless covered by a suitable weatherproof enclosure.
- For installation a support bracket is provided with the extractor which allows the motor and impeller assembly to be fitted or removed without dismantling the adjacent ducting.
- For installation, remove the motor and impeller assembly from its support bracket (Fig 1).
- Fix the support bracket in position where the extractor is to be located

- Connect the inlet and outlet ducting. In order to avoid losses in performance we do not recommend that the fan is used in conjunction with ducting of a lesser diameter than the fan connection spigots.
- The fan should be installed to ensure minimum vibration and noise transmission to surrounding ductwork and building frames. Antivibration mountings and sound attenuating accessories are available. Please contact your local distributor.
- The fan should always be installed so that safe operation and maintenance can be ensured.
- Before installing the unit ensure the impeller is running freely and there are no obstructions to the airflow.

#### ELECTRICAL CONNECTION

- Before Installation and Wiring ENSURE THE MAINS ELECTRICAL SUPPLY IS DISCONNECTED!
- The electrical installation must include a double pole switch with a contact clearance of at least 3 mm, correctly sized and in accordance with the electrical standards of the country of installation.
- Ensure that the voltage and frequency of the electrical supply match the information stated on the Data Plate of the unit (maximum recommended tolerance of Voltage (V) and Frequency (Hz)  $\pm 5\%$ ).
- The standard fans are fitted with single-phase motor. For connection follow wiring diagrams fig.2. All motors are 100% speed controllable via electronic voltage regulating speed controllers. For connection using a REB single phase speed controller, follow wiring diagrams fig.3.
- Before operation, check all connections are correct and there are no obstructions to the airflow.
- On connecting the electrical supply ensure the direction of rotation and airflow correspond with the direction of airflow / rotation arrows (sited on unit).

#### MAINTENANCE

- Before inspection or repair, ensure that the unit is disconnected from the mains electrical supply.
- The fan impeller should be cleaned at least once (1) a year to ensure trouble free operation.
- Do not clean the unit with strong detergents or cleaning fluids. Use a damp (not wet) cloth only for cleaning.

(Soler & Palau, S.A. reserve the right to alter specifications without prior notice)

## **CERTIFICADO DE GARANTÍA POR 2 AÑOS**

(Válido sólo para España)

### **Exija su complementación al adquirir el aparato**

#### **Artículo:**

La presente garantía cubre cualquier falta de conformidad del bien salvo mal uso o manipulación del mismo. Durante el periodo de vigencia y en caso de avería el usuario tiene derecho a la reparación o sustitución del producto sin cargo alguno, salvo que una de estas opciones resulte imposible o desproporcionada. Si la reparación o sustitución no fuese posible o apropiada podrá optar entre la rebaja del precio o la resolución del contrato. El titular del aparato, disfrutará en cada momento, de todos los derechos que la normativa vigente le conceda.

#### **Utilización de esta garantía:**

Esta tarjeta de garantía, debe quedar en poder del usuario. Para el eficaz ejercicio de los derechos de esta garantía, debe acompañarse de factura o ticket de compra o del albarán de entrega correspondiente si este fuera posterior. Para la reparación del producto deberá acudir a la amplia red de Servicios Oficiales S&P ya que cualquier manipulación ajena a estos Servicios Oficiales, nos obligaría a cancelar esta garantía.

For details of guarantee outside Spain contact your local supplier.  
Pour les détails de la garantie hors d'Espagne, contacter votre fournisseur.  
Einzelheiten über die Garantie Außerhalb des Spanien teilt ihnen gem ihr örtlicher Vertrieb mit.  
Para informações sobre garantia, fora de Espanha, contacte o seu fornecedor local.



**Soler & Palau**  
Polígono Industrial Llevant, c/ Llevant  
08150 Parets del Vallès (Barcelona)

Nombre y dirección del comprador

Modelo

Fecha de la compra

Sello del establecimiento vendedor

# Soler & Palau

Polígono Industrial Llevant  
c/ Llevant, 4  
08150 Parets del Vallès (Barcelona)  
Spain  
Tel. (34) - 93 571 93 00  
Fax. (34) - 93 571 93 11  
<http://www.solerpalau.com>



Ref. 288197007



Nombre y dirección del comprador

Modelo

Fecha de la compra

Sello del establecimiento vendedor