



Percent Timer Control with Furnace Interlock

For use with TR70/TR130/TR200/TR300

Operation

The Percent Timer Control with furnace interlock (SFM) automatically turns on your TR70, TR130, TR200 or TR300 Total Recovery for All Climates unit and the furnace blower every hour, ensuring proper ventilation for your home around-the-clock. When the "Runtime %" light is on, the control is telling your Total Recovery for All Climates unit to operate – and is also telling your furnace or air-conditioner to circulate air throughout your home. Set the control and your ventilator will run once every hour. How long it runs depends on the runtime percentage setting.

FOR CONSTANT OPERATION: Press the logo until the 100% light is on. The "Runtime %" light turns on. The TR unit and furnace blower will run continuously.

FOR REGULAR OPERATION: Set the control at the percentage that is right for your home. Press the logo until the light for the percent desired is on. See the "Percent Run Time Table" for guidance. You may wish to adjust this percentage to your specific needs. For example, if you have excess humidity in the winter, increase the ventilation percentage. You may also want to decrease the ventilation percentage when the home will be unoccupied for many days, or increase the ventilation percentage during a party.

FOR NO REGULAR OPERATION: Press the logo until all lights are off. The control is off.

NOTE for TR systems with more than one control:

Another control may be causing your ventilator to run - even if the light on this control is off. If you wish to keep your ventilator from running, check that none of your controls are calling for unit operation. **NOTE: Furnace blower will also run whenever your thermostat tells it to!**

Installation

1. Install control in a standard 2" x 4" electrical box, with a minimum depth of 1.5", with the two screws provided.
2. Wire Size: 18 - 22 gauge, no more than 500 feet. Wiring is non-polar.
3. See the wiring schematics for your specific installation.
4. Use Lutron Decora™ cover plate to complete installation.

Percentage Run Time Table (to achieve 0.35 air changes per hour)

As recommended by the American Society of Heating, Refrigeration, and Air Conditioning Engineers
*Based on 8' ceiling height. If ceiling is other than 8', recalculate house volume based on your ceiling height.
Other standards and local codes should be considered when determining the required ventilation rate.

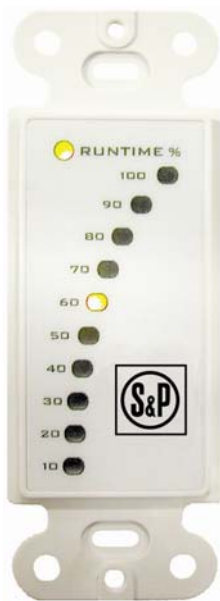
| House Living Area (square feet) | House Volume* (cubic feet) | % Setting with TR70@69 cfm | % Setting with TR130@124 cfm | % Setting with TR200@181 cfm | % Setting with TR300@295 cfm |
|---------------------------------|----------------------------|----------------------------|------------------------------|------------------------------|------------------------------|
| 750 | 6000 | 51% | 28% | 19% | 12% |
| 1250 | 10000 | 85% | 47% | 32% | 20% |
| 1750 | 14000 | 100% | 66% | 45% | 28% |
| 2250 | 18000 | | 85% | 58% | 36% |
| 2750 | 22000 | | 100% | 71% | 44% |
| 3250 | 26000 | | | 84% | 51% |
| 3750 | 30000 | | | 97% | 59% |
| 4250 | 34000 | | | 100% | 67% |
| 5125 | 41000 | | | | 81% |
| 5750 | 46000 | | | | 91% |
| 6500 | 52000 | | | | 100% |

WIRING OPTIONS 1 and 2:

In most Furnace/Thermostat systems, if a circuit is made between R & G on the furnace, in an attempt to make the furnace blower operate, the Y contacts are also energized, because the thermostat has an internal connection between its G & Y terminals. This will cause the air conditioning unit to operate as well. The Furnace Interlock in the FM takes the thermostat's G terminal out of the circuit whenever there is a call for the Total Recovery for All Climates unit to operate.

WIRING OPTIONS 3 and 4:

The SFM requires 24VAC power to operate. This is usually provided by the furnace control. If there is no Furnace connection, it is possible to power the FM with an external transformer; in this case, make no connections to any appliance other than the TR70, TR130, TR200, or TR300 as shown in Option 3. Use Option 4 when connecting a larger commercial Total Recovery for All Climates unit using a TR40 kit.



FRONT



BACK



Soler & Palau

USA: Tel (800) 961-7370, Fax (800) 961-7379, www.solerpalau-usa.com

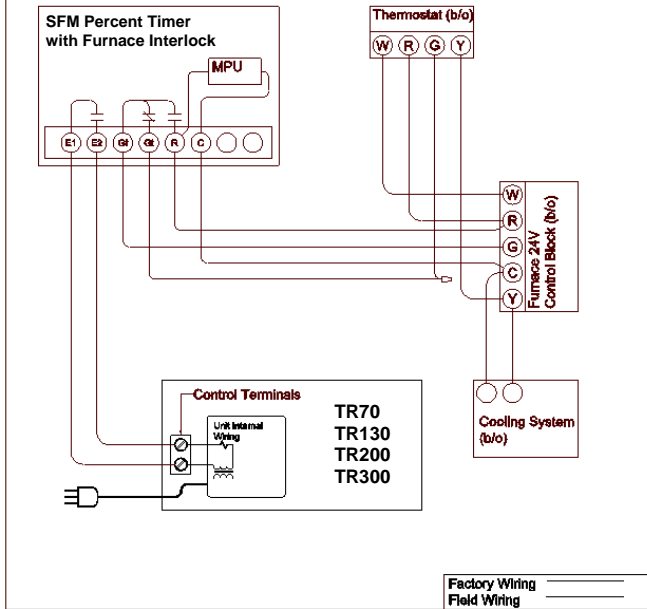
Canada: Tel (866) 733-0233, Fax (866) 358-5346, www.solerpalaucanada.net

Mexico: Tel 52 (222) 2 233 900, Fax 52 (222) 223 3914, www.soler-palau.com.mx

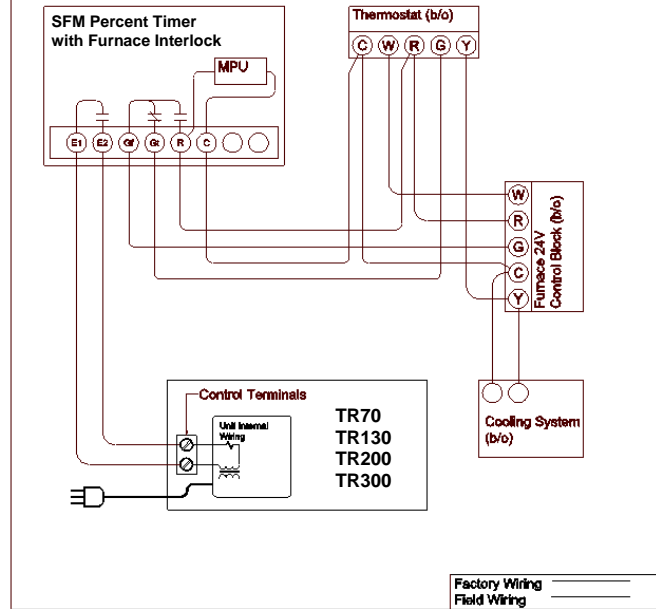


Wiring Schematics

OPTION 1: Wire SFM to Furnace and to Total Recovery for All Climates unit



OPTION 2: Wire SFM to Thermostat and to Total Recovery for All Climates unit



OPTION 3: Wire SFM to control the Total Recovery for All Climates unit ONLY

