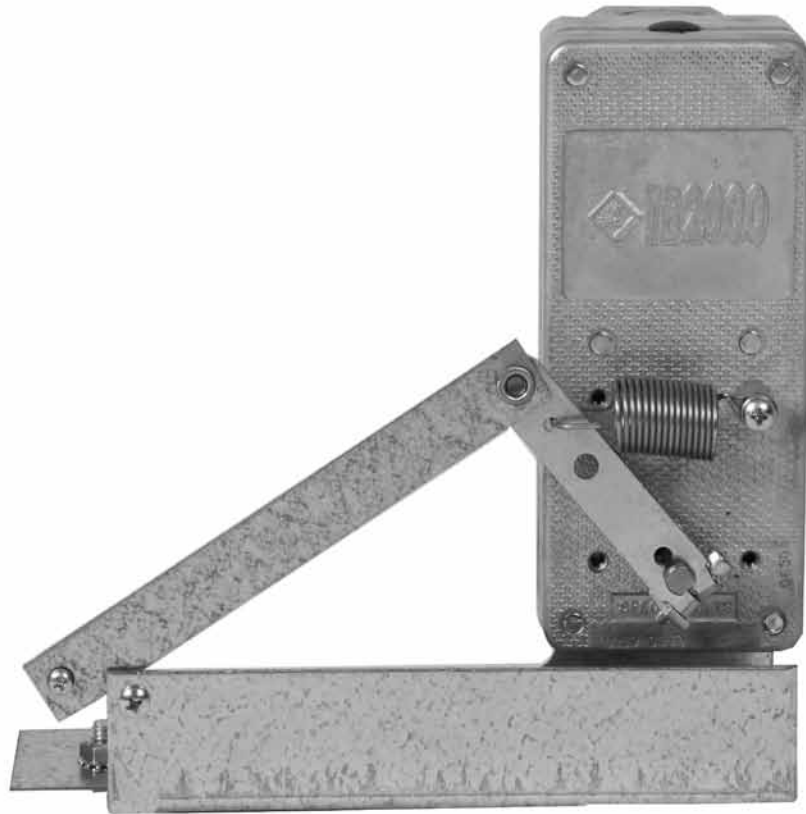




**CEILING SHUTTER / BACKDRAFT DAMPER MOTOR
Model 411611**



**INSTALLATION AND WIRING INSTRUCTIONS
READ INSTRUCTIONS CAREFULLY BEFORE ATTEMPTING
TO INSTALL, OPERATE OR SERVICE MOTOR.
RETAIN INSTRUCTIONS FOR FUTURE REFERENCE.**

DESCRIPTION

Motor pack is designed for use with ceiling shutters and backdraft dampers. Unit automatically opens and closes when the fan motor is activated. The motor is single phase and is equipped with motor plate, linkage, and mounting hardware (fasteners).

INSTALLATION

1. Using bolt, nut and lock washer provided, fasten motor plate to shutter frame and tighten.
2. Attach motor arm linkage to second hole as shown. (Shutter must be in closed position when mounting motor).
3. Make proper wiring connections. See Figure 3. NOTE: UNIT IS NOT FIELD SERVICABLE AND SHOULD BE REPLACED AS AN ASSEMBLY.

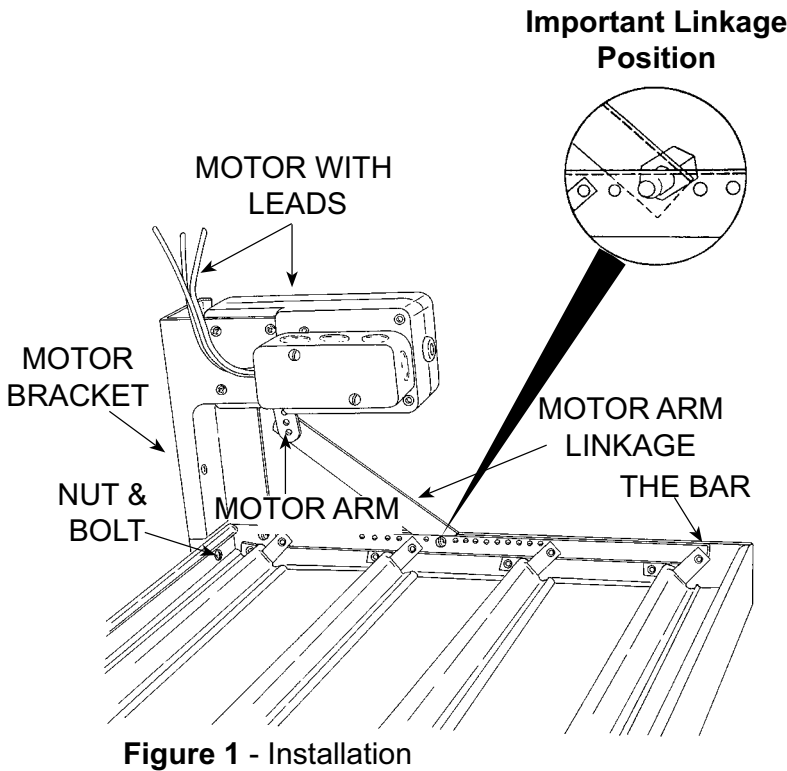


Figure 1 - Installation

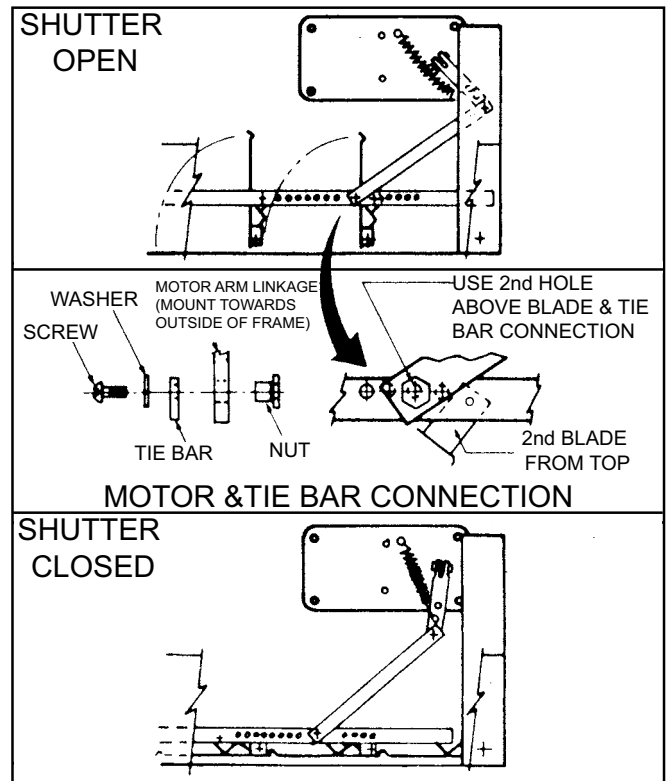


Figure 2 - Installation

Optional 411611 Motor Pack Specifications

Motor Pack Part Number	Power Supply Required	Running AMPS	Stall Torque	Lead Length	Installed Unit Dimension		
					H	W	D
411611	115/230V, 60 Hz	.11/.07	77 in. lbs.	6"	8.5	4.5	7.375

(*) Motor is single-phase, continuous duty with a 40°C, (104°F) maximum ambient temperature.

GENERAL SAFETY INFORMATION

1. Follow all local electrical and safety codes, as well as the National Electrical Code (NEC) and the Occupational Safety and Health Act (OSHA).
2. Motor must be securely and adequately grounded. This can be accomplished by wiring with a grounded, metal-clad raceway system, by using a separate ground wire connected to the bare metal of the motor frame, or other suitable means.
3. Always disconnect power source before working on or near a motor or its connected load. If the power disconnect point is out-of-sight, lock it in the open position and tag to prevent unexpected application of power.
4. Protect the power cable from coming in contact with sharp objects.
5. Do not kink power cable and never allow the cable to come in contact with oil, grease, hot surfaces, or chemicals.
6. Make certain that the power source conforms to the requirements of your equipment.

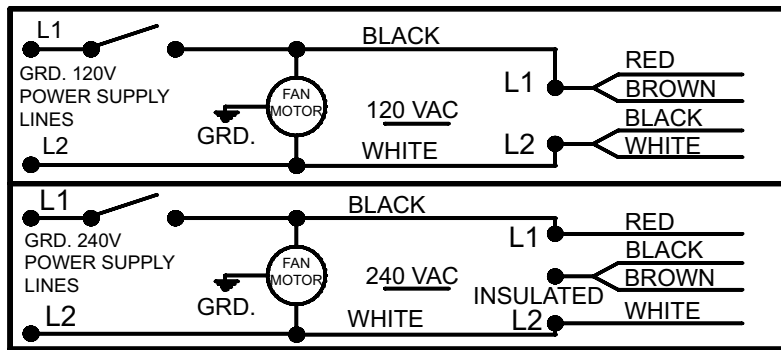


Figure 3 - Wiring Diagram - 120V & 240V, 60Hz

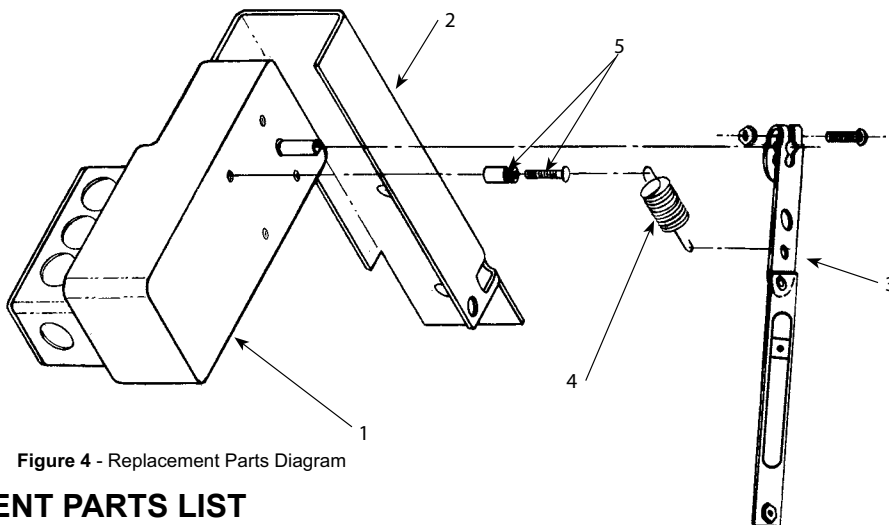


Figure 4 - Replacement Parts Diagram

REPLACEMENT PARTS LIST

Ref. No.	Description	Part No.	Qty.
1	60 Hz Motor 120/240V	UL14V-3050	1 ea.
2	Motor Bracket	50003	1 ea.
3	Motor Crankarm	50015-A	1 ea.
4	Return Spring	FPR 556-104	1 ea.
5	Spring Post With Screw	611-116	1 ea.

