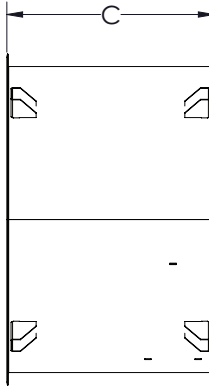
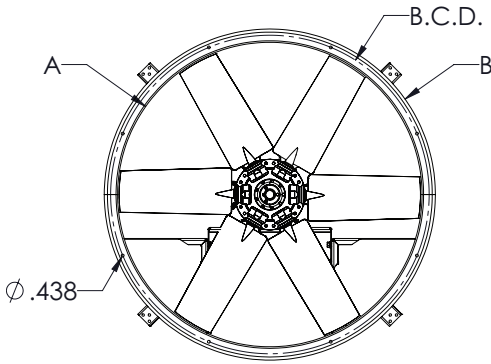




P: 800.961.7370
www.solerpalau-usa.com



MODEL TDD (Sizes 18-48) BELT DRIVE TUBEAXIAL DUCT FANS



STANDARD FEATURES

- Heavy-gauge rolled steel construction.
- Integral inlet and outlet flanges with mounting holes.
- Continuous welded and epoxy coated.
- Eight mounting supports welded to each fan.
- Rolled steel flange reinforcement on each end.
- Size 18 has Polypropylene blades and steel bushing.
- Sizes 20-48 have three, five or six wing airfoil aluminum blades.
- Sizes 20-48 have Steel or aluminum hub plate with steel bushing.
- Blades are pitched for optimum efficiency.
- Statically and dynamically balanced.
- AMCA Air Certified
- cULus 705 Listed

Model No.	Housings			B.C.D.	Holes		Max Motor Frame	Steel Housing Gauges	Avg. Ship Wt. (Lbs)
	I.D. A	O.D. B	Length C*		Dia.	#			
18	18-3/8	22-1/2	22	19-3/4	7/16	8	145T	14	150
20	20-3/8	24-1/2	22	21-3/4	7/16	8	145T	14	178
24	24-3/8	28-5/8	23	25-3/4	7/16	8	213T	12	273
30	30-3/8	34-5/8	24	32	7/16	8	215T	12	320
34	34-3/8	38-5/8	27	36-3/8	7/16	8	215T	12	457
36	36-3/8	40-5/8	29	38	7/16	8	215T	10	532
42	42-1/2	46-3/4	30	44-1/4	7/16	8	256T	10	738
48	48-1/2	52-3/4	33	50-3/4	7/16	8	256T	10	834

*Motor may extend past unit

NOTE: All dimensions shown are in inches.

FAN SPECIFICATIONS									MOTOR SPECIFICATIONS				
Line	Qty.	Model No.	Tag	CFM	SP	Fan RPM	BHP	Sones	HP	Volts	Phase	Hertz	Encl
1													
2													
3													
4													
5													

ACCESSORY ITEMS	1	2	3	4	5	ACCESSORY ITEMS	1	2	3	4	5
<input type="checkbox"/>						<input type="checkbox"/>					
<input type="checkbox"/>						<input type="checkbox"/>					
<input type="checkbox"/>						<input type="checkbox"/>					
<input type="checkbox"/>						<input type="checkbox"/>					
<input type="checkbox"/>						<input type="checkbox"/>					

Subject to change unless approved in submittal by Soler & Palau USA
TDD18-48_Submittal

