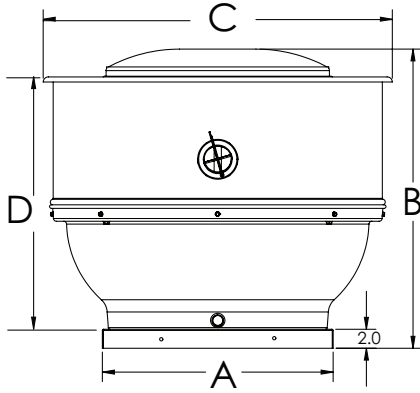




MODEL STXD (Sizes 6-16) DIRECT DRIVE CENTRIFUGAL UPBLAST ROOF EXHAUSTER



STANDARD FEATURES

- Exhaust air up to 4,780 CFM in high static pressure applications up to 1-1/2" w.g.
- Attractive spun aluminum exterior
- Direct drive units have low sound levels and quiet operation
- Curved non-overloading backward inclined wheel for efficiency at higher static pressures
- Roof or sidewall mounting options
- AMCA Air and Sound Licensed
- cULus 705 or 762 Listed
- NFPA - suitable for National Fire Protection Association Installations

Size	A	B	C	D	Roof Opening	Curb O.D.	Damper O.D.	Average Ship Wt. Lbs.
6	18 1/8	25 1/2	28 5/8	19 3/4	13 1/2	16 1/2	12	90
7	18 1/8	25 1/2	28 5/8	19 3/4	13 1/2	16 1/2	12	89
8	18 1/8	25 1/2	28 5/8	19 3/4	13 1/2	16 1/2	12	98
10	18 1/8	25 1/2	28 5/8	19 3/4	13 1/2	16 1/2	12	114
12	20 1/8	27 1/8	31 1/4	21 3/8	15 1/2	18 1/2	14	118
14	20 1/8	27 1/8	31 1/4	21 3/8	15 1/2	18 1/2	14	117
15	24 1/8	27 7/8	36 1/2	22	19 1/2	22 1/2	18	135
16	24 1/8	27 7/8	36 1/2	22	19 1/2	22 1/2	18	136

FAN SPECIFICATIONS									MOTOR SPECIFICATIONS				
Line	Qty.	Model No.	Tag	CFM	SP	Fan RPM	BHP	Sones	HP	Volts	Phase	Hertz	Encl
1													
2													
3													
4													
5													

ACCESSORY ITEMS					1	2	3	4	5	ACCESSORY ITEMS					1	2	3	4	5
<input type="checkbox"/>										<input type="checkbox"/>									
<input type="checkbox"/>										<input type="checkbox"/>									
<input type="checkbox"/>										<input type="checkbox"/>									
<input type="checkbox"/>										<input type="checkbox"/>									
<input type="checkbox"/>										<input type="checkbox"/>									

Subject to change unless approved in submittal by S&P
STXD6-16_Submittal