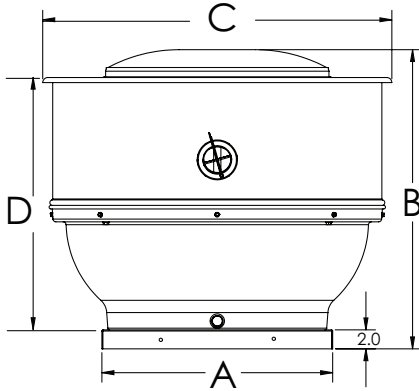




# MODEL STXB BELT DRIVE CENTRIFUGAL UPBLAST ROOF EXHAUSTER

## STANDARD FEATURES

- Exhaust air up to 3,464 CFM in high static pressure applications up to 2-1/4" w.g.
- Attractive spun aluminum exterior
- Belt drives permit easy performance adjustments when needed
- Curved non-overloading backward inclined wheel for efficiency at higher static pressures
- Roof or sidewall mounting options
- AMCA Air and Sound Licensed
- cULus 705 or 762 Listed
- NFPA - suitable for National Fire Protection Association Installations



Size	A	B	C	D	Roof Opening	Curb O.D.	Damper (O.D.)	Average Ship Wt. Lbs.
8	18 1/8	29 1/3	28 5/8	24 1/3	13 1/2	16 1/2	12	123
10	18 1/8	29 1/3	28 5/8	24 1/3	13 1/2	16 1/2	12	124
12	20 1/8	30 7/8	31 1/3	25 7/8	15 1/2	18 1/2	14	136
14	20 1/8	30 7/8	31 1/3	25 7/8	15 1/2	18 1/2	14	138
15	24 1/8	31 3/8	36 1/2	26 5/8	19 1/2	22 1/2	18	155
16	24 1/8	31 3/8	36 1/2	26 5/8	19 1/2	22 1/2	18	155

NOTE: All dimensions shown are in inches.

FAN SPECIFICATIONS									MOTOR SPECIFICATIONS				
Line	Qty.	Model No.	Tag	CFM	SP	Fan RPM	BHP	Sones	HP	Volts	Phase	Hertz	Encl
1													
2													
3													
4													
5													

ACCESSORY ITEMS						1	2	3	4	5	ACCESSORY ITEMS						1	2	3	4	5
<input type="checkbox"/>											<input type="checkbox"/>										
<input type="checkbox"/>											<input type="checkbox"/>										
<input type="checkbox"/>											<input type="checkbox"/>										
<input type="checkbox"/>											<input type="checkbox"/>										
<input type="checkbox"/>											<input type="checkbox"/>										