



P: 800.961.7370  
www.solerpalau-usa.com

# AUTOMATIC WALL SHUTTER-SINGLE PANEL MODEL 502

## FEATURES

### Frame

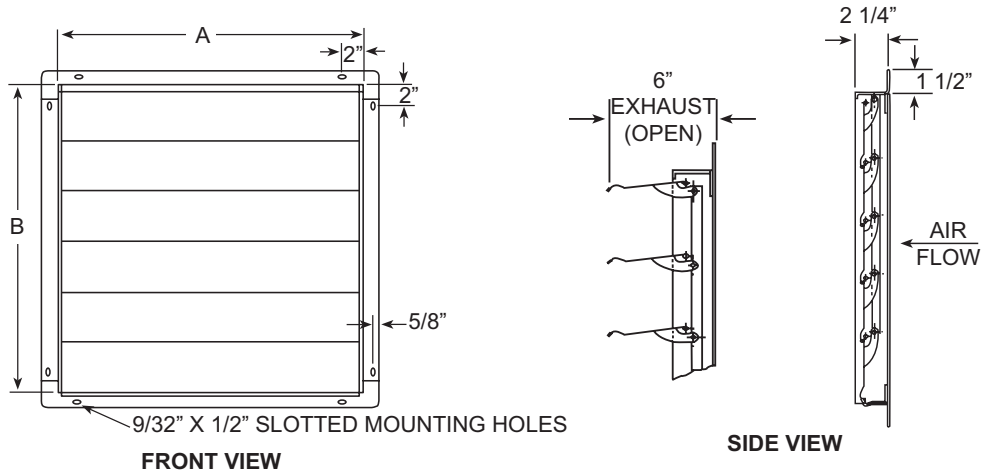
- 20 gauge galvanized steel.
- Tog-L-Loc and tabbed corners provide rigidity and durability.
- Integrated weather stripping incorporated into frame for additional strength and weather protection.
- Prepunch oblong mounting holes.

### Ratings

- Maximum recommended velocity is 2,000 FPM
- Temperature - -40 F to 180 F

### Blades

- 26 gauge 3105 mill finish aluminum.
- Felt seal on leading edge of blade for tight closure and quiet operation.
- Center-mounted galvanized steel tie-rod connects blades for uniform opening and closing.
- 304 stainless steel pivot pins and rivets
- Nylon bushings.



Note: Above dimensions + or - normal tolerance of .0625"

## Dimensions in Inches

Part No.	Panel Size (A x B)	Est. Shipping Weight (lbs)
502010	10 x 10	3.5
502012	12 x 12	4
502016	16 x 16	5.5
502020	20 x 20	7
502024	24 x 24	9.5

**Note:** Dimensions are approximate due to normal tolerances in the manufacturing process. Estimated Free Area calculation is based upon the following formula:  $MD[A+B+(N \times C)]/144$ . Free Area x FPM = CFM; actual performance may vary.