

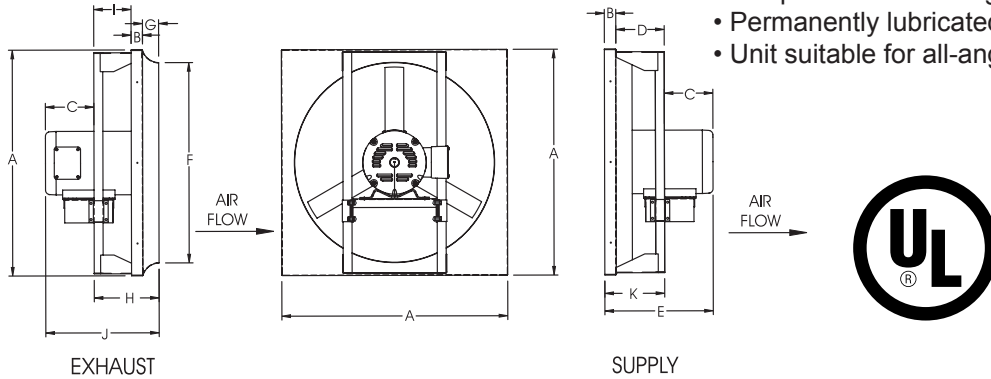


P: 800.961.7370
www.solerpalau-usa.com

MODEL DDE/DDS DIRECT DRIVE SIDEWALL PROPELLER FAN

STANDARD CONSTRUCTION FEATURES

- Galvanized steel G90 panel assembly.
- Welded schedule 40 galvanized pipe support structure.
- Statically and dynamically balanced aluminum blades.
- Precision spun orifice for smooth performance.
- Pre-punched mounting holes for easy installation.
- Permanently lubricated sealed ball bearing motors.
- Unit suitable for all-angle construction.



DDE/ DDS Size	Dimensions (in.)										
	A	B	C*	D	E*	F	G	H	I	J	K
24	30	2	11	9	21	25	3	9	4	20	11
30	36	2	11	9	21	31	3	9	4	20	11
36	42	2	11	9	21	37	3	9	4	20	11
42	48	2	11	9	21	43	3	9	4	20	11
48	54	2	12	10	23	49-1/4	4	10	4	22	12
54	60	2	13	11	25	55-1/4	5	11	4	24	13
60	66	2	13	11	25	61-1/4	5	11	4	24	13

- A. Outside dimension of square panel.
- B. Width of flange.
- C. Depth of motor beyond support structure.*
- D. Depth of support structure - supply.
- E. Depth of fan - supply.*
- F. Diameter of venturi.
- G. Depth of venturi.
- H. Depth of panel and support structure - exhaust.
- I. Depth of support structure - exhaust.
- J. Depth of fan - exhaust.*
- K. Depth of panel and support structure - supply.
- * Varies with motor selection

FAN SPECIFICATIONS										MOTOR SPECIFICATIONS				
Line	Qty.	Model No.	Tag	CFM	SP	Fan RPM	BHP	Sones	HP	Volts	Phase	Hertz	Encl	
1														
2														
3														
4														
5														

ACCESSORY ITEMS	1	2	3	4	5	ACCESSORY ITEMS	1	2	3	4	5
<input type="checkbox"/>						<input type="checkbox"/>					
<input type="checkbox"/>						<input type="checkbox"/>					
<input type="checkbox"/>						<input type="checkbox"/>					
<input type="checkbox"/>						<input type="checkbox"/>					
<input type="checkbox"/>						<input type="checkbox"/>					

Project: _____ Submitted: _____
 Customer: _____ Approved: _____
 Location: _____