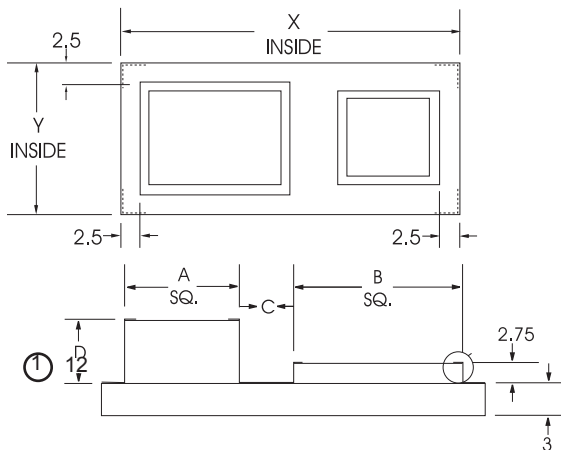
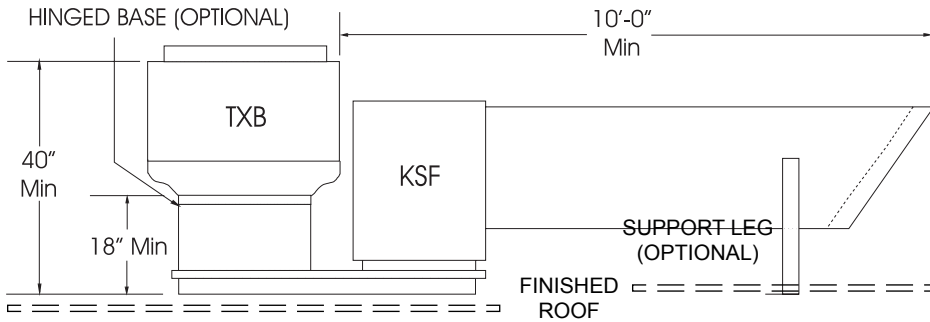




P: 800.961.7370  
www.solerpalau-usa.com

# EXHAUST & SUPPLY COMMON CURB CAP ADAPTOR FOR MODELS TXB & KSF



Ⓢ Maintains 40" exhaust discharge height when used with a standard 8" high roof curb.

### TYPICAL INSTALLATION

NFPA96 requires a 10 foot minimum distance between the exhaust fan and supply fan intake. The intake extension (optional) provides this clearance. Also required are hinged curb caps (optional) on the exhaust fan and some areas require a vented curb extension.

### NFPA96 ALTERNATE INSTALLATION

Where space limitations absolutely prevent a 10 foot separation from the air intake, a vertical separation may be permitted with the exhaust outlet being a minimum of 3 feet above any air intake located within 10 feet horizontally. **IMPORTANT:** Always check with the authority having jurisdiction to verify local codes and requirements.

### COMMON CURB AND ADAPTOR

The common curb and adaptor allows for mounting both the exhaust fan and supply fans onto one roof opening. Follow the chart below for sizing and ordering common curbs and adaptors.

MODEL		PART NUMBER COMMON CURB	ROOF CURB OD	PART NUMBER CURB CAP ADAPTOR	CURB CAP ADAPTOR X x Y OD	CURB CAP ADAPTOR	
TXB	KSF					Exhaust Fan Outlet A Sq.	Supply Fan Outlet B Sq.
6/8/10	9	2302.BC 10 x 9	55-3/4 x 27-1/2	2302.BA 10 x 9	56-3/4 x 29	16	23-3/4
12	9	2302.BC 12 x 9	59-1/4 x 27-1/2	2302.BA 12 x 9	60-3/4 x 29	23-1/2	23-3/4
15	10	2302.BC 15 x 10	65 x 31-1/4	2302.BA 15 x 10	66-1/2 x 32-3/4	23-1/2	27-3/4
15	12/15	2302.BC 15 x 12/15	69 x 35-1/4	2302.BA 15 x 12/15	70-1/4 x 36-3/4	23-1/2	31-3/4
18/20	12/15	2302.BC 18 x 12/15	74-1/2 x 35-1/4	2302.BA 18 x 12/15	76 x 36-3/4	29	31-3/4
24	15	2302.BC 24 x 15	82-1/2 x 38-1/2	2302.BA 24 x 15	84 x 40	35	31-3/4
24	18	2302.BC 24 x 18	86-1/2 x 39-1/4	2302.BA 24 x 18	88 x 40-3/4	35	35-3/4
30	18	2302.BC 30 x 18	94-1/2 x 45-3/4	2302.BA 30 x 18	96 x 47-1/4	42	35-3/4
30	20	2302.BC 30 x 20	108-1/2 x 54-1/4	2302.BA 30 x 20	110 x 55-3/4	42	50-1/4
36	20	2302.BC 36 x 20	113-1/2 x 54-1/4	2302.BA 36 x 20	115 x 55-3/4	42	50-1/4

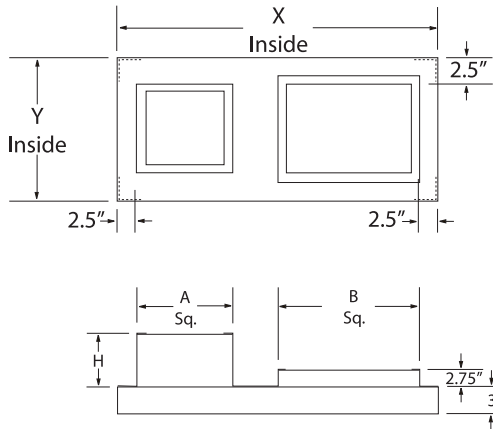
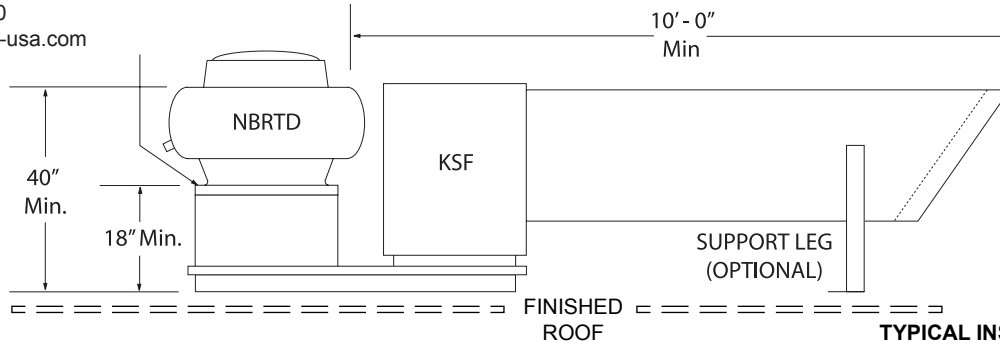
ACCESSORY ITEMS	1	2	3	4	5	ACCESSORY ITEMS	1	2	3	4	5
<input type="checkbox"/>						<input type="checkbox"/>					
<input type="checkbox"/>						<input type="checkbox"/>					
<input type="checkbox"/>						<input type="checkbox"/>					
<input type="checkbox"/>						<input type="checkbox"/>					

Project: \_\_\_\_\_ Submitted: \_\_\_\_\_  
 Customer: \_\_\_\_\_ Approved: \_\_\_\_\_  
 Location: \_\_\_\_\_



P: 800.961.7370  
www.solerpalau-usa.com

# EXHAUST & SUPPLY COMMON CURB CAP ADAPTOR FOR MODELS NBRTD & KSF



### TYPICAL INSTALLATION

NFPA96 requires a 10 foot minimum distance between the exhaust fan and supply fan intake. The intake extension (optional) provides this clearance. Also required are hinged curb caps (optional) on the exhaust fan and some areas require a vented curb extension.

### NFPA96 ALTERNATE INSTALLATION

Where space limitations absolutely prevent a 10 foot separation from the air intake, a vertical separation may be permitted with the exhaust outlet being a minimum of 3 feet above any air intake located within 10 feet horizontally. **IMPORTANT:** Always check with the authority having jurisdiction to verify local codes and requirements.

### COMMON CURB AND ADAPTOR

The common curb and adaptor allows for mounting both the exhaust fan and supply fans onto one roof opening. Follow the chart below for sizing and ordering common curbs and adaptors.

MODEL		PART NUMBER COMMON CURB	ROOF CURB OD	PART NUMBER CURB CAP ADAPTOR	CURB CAP ADAPTOR X x Y OD	HEIGHT H	CURB CAP ADAPTOR	
NBRTD	KSF						Exhaust Fan Outlet A Sq.	Supply Fan Outlet B Sq.
14	9	2302.JC 14 x 9	53-3/4 x 27-1/2	2302.JA 14 x 9	54-1/2 x 29	19	19-3/4	23-3/4
18	10	2302.JC 18 x 10	61 x 31-3/4	2302.JA 18 x 10	62-1/2 x 32-3/4	18	23-3/4	27-3/4
18	12	2302.JC 18 x 12	65 x 35-1/4	2302.JA 18 x 12	66-1/2 x 36-3/4	14	23-3/4	31-3/4
24	12/15	2302.JC 24 x 12/15	73 x 35-3/4	2302.JA 24 x 12/15	74-1/2 x 36-3/4	12	29-3/4	31-3/4
30	12/15	2302.JC 30 x 12/15	80 x 35-1/4	2302.JA 30 x 12/15	81-1/2 x 36-3/4	12	35-3/4	31-3/4
30	18	2302.JC 30 x 18	84 x 39-1/4	2302.JA 30 x 18	85-1/2 x 36-3/4	12	35-3/4	35-3/4
30	20	2302.JC 30 x 20	99 x 54-1/4	2302.JA 30 x 20	100-1/2 x 55-3/4	12	35-3/4	50-1/4
36	15	2302.JC 36 x 15	88 x 45-1/4	2302.JA 36 x 15	89-1/2 x 46-3/4	12	41-3/4	31-3/4
36	18	2302.JC 36 x 18	92 x 45-1/4	2302.JA 36 x 18	93-1/2 x 46-3/4	12	41-3/4	35-3/4
36	20	2302.JC 36 x 20	107 x 54-1/4	2302.JA 36 x 20	108-1/2 x 55-3/4	12	41-3/4	50-1/4

① Maintains 40" exhaust discharge height when used with a standard 8" high roof curb.

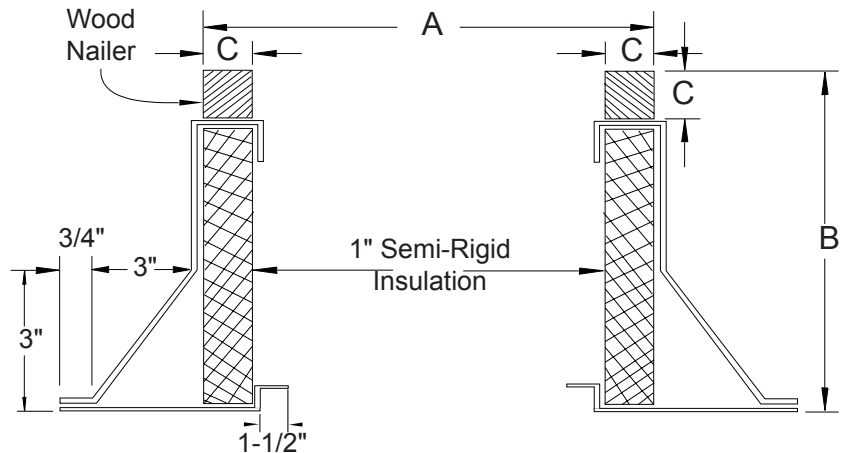
ACCESSORY ITEMS	1	2	3	4	5	ACCESSORY ITEMS	1	2	3	4	5
<input type="checkbox"/>						<input type="checkbox"/>					
<input type="checkbox"/>						<input type="checkbox"/>					
<input type="checkbox"/>						<input type="checkbox"/>					
<input type="checkbox"/>						<input type="checkbox"/>					

Project: \_\_\_\_\_ Submitted: \_\_\_\_\_  
 Customer: \_\_\_\_\_ Approved: \_\_\_\_\_  
 Location: \_\_\_\_\_



P: 800.961.7370  
www.solerpalau-usa.com

# INSULATED CANTED ROOF CURB



**OPTIONS:**

1. Insulation retainers - solid or screen type.
2. Burglar bars - 1/2" dia. on 6" centers.
3. Finishes - baked or air-dried enamel or epoxy.
4. Heights: 8, 12, or 16".
5. Single pitch, double pitch or flat style.
6. Damper Tray.

FAN SIZE	"A" OD (Square) CURB / RF TYPE								"B" CURB HEIGHT	"C" WOOD NAILER	GAUGES	WT.
	CENT. SUPPLY (KSF)	CENT. SUPPLY (CSF, LSF)	CENT. SUPPLY (SRT)	UP-BLAST ROOF (UBB, UBS, UBX, UBRD)	UPBLAST ROOF (UBSRD, UBSRD-HT, UBSRD-HT1)	UP-BLAST ROOF (TUB, TUB-HT)	HOODED ROOF (HREB-C, HRSB, HRED-C, HRSD, HRSBF, HRSDf)	PROPELLER ROOF (ARE/ARS)				
9	22-1/4	22-3/4	-	-	-	-	-	-	12" STD	1-1/2" Sq	18	34
10	26-1/2	26-1/2	14-3/4	-	-	-	-	18-1/2				36
12	30-1/2	26-1/2	-	-	-	-	-	22-1/2				36
15	30-1/2	30-1/2	-	-	-	-	-	-				36
16	-	-	-	-	-	-	-	26-1/2				36
18	34-5/8	34-5/8	-	-	-	-	-	-				40
20	49	49	-	-	-	-	-	30-1/2				58
24	-	-	-	31	28-1/2	33-1/4	33-1/4	-				39
30	-	-	-	37	34-1/2	39-1/4	39-1/4	-				46
36	-	-	-	43	40-1/2	45-1/4	45-1/4	-				54
42	-	-	-	49	46-1/2	51-1/4	51-1/4	-				61
48	-	-	-	55	52-1/2	57-1/4	57-1/4	-				68
54	-	-	-	61	58-1/2	63-1/4	63-1/4	-				75
60	-	-	-	67	64-1/2	69-1/4	69-1/4	-				82

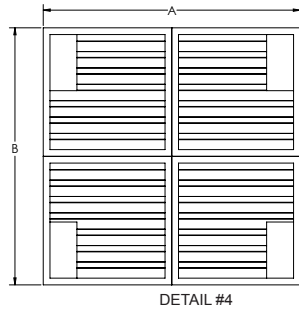
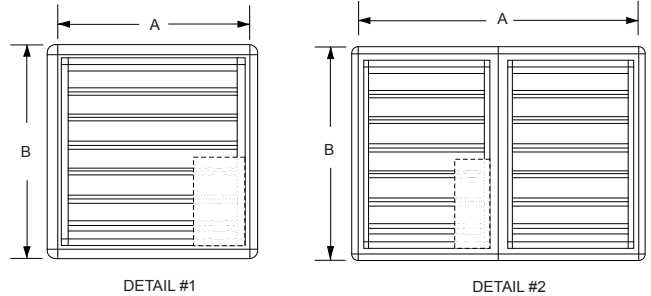
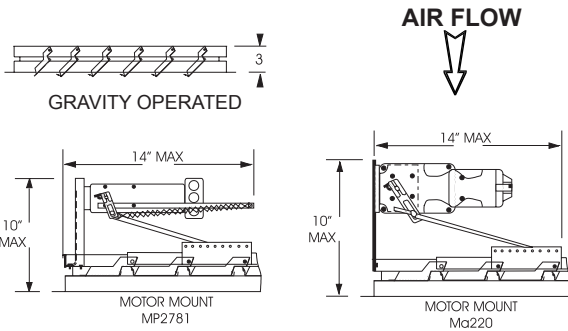
1. Standard construction is shown. If special construction is required, note changes below and highlight.
2. G-90 galvanized welded steel construction.

ACCESSORY ITEMS	1	2	3	4	5	ACCESSORY ITEMS	1	2	3	4	5
<input type="checkbox"/>						<input type="checkbox"/>					
<input type="checkbox"/>						<input type="checkbox"/>					
<input type="checkbox"/>						<input type="checkbox"/>					
<input type="checkbox"/>						<input type="checkbox"/>					

Project: \_\_\_\_\_ Submitted: \_\_\_\_\_  
 Customer: \_\_\_\_\_ Approved: \_\_\_\_\_  
 Location: \_\_\_\_\_



# BACKDRAFT DAMPERS FOR ROOF MOUNTED SUPPLY FANS



## PLAN VIEW (TOP)

### STANDARD SPECIFICATIONS:

- Maximum Face Velocity: 3000 fpm.
- Temperature limits: -40°F to 200°F (-40°C to 94°C)
- Minimum Size: 8 x 8
- Size: Single section: 42 x 64 Max W/H  
Multiple section assembly - Unlimited size.
- Frame: 20 gauge galvanized steel.
- Blades: .025 thick aluminum.
- HD 28 gauge galvanized steel.

Seals: Extruded vinyl mechanically locked into blades.

Axles: Stainless Steel.

Linkage: Stainless steel pins, galvanized steel tie bar.

Finish: Mill.

### NOTES:

- Do not mount fan less than 12 inches from the shutter.
- Motors available in 24V, 120V, 240V & 440V.
- Dampers shipped in individual cartons.
- Motors and spring kits ship separately.
- Center-pivoted dampers must be used on reversible fans.
- Multiple section assemblies may require bracing support the weight of the assembly and to hold against system pressure. **BRACING SUPPLIED BY OTHERS.**
- Multiple section dampers are factory joined (except 72" and larger).

**CAUTION:** Motor kits are not suitable for use in explosive or flammable areas or airflows.

FAN SIZE	CENTRIFUGAL ROOF FANS				PROP ROOF FANS		ARS A Sq	MOTOR TYPE		PANELS (DETAIL)
	LSF, CSF & KSF		RCXII		HRSB, HRSBF, HRSD, HRSDF			TYPE	QTY	
	A Sq SIZE	B Sq OD FLANGE	A Sq SIZE	B Sq OD FLANGE	A Sq SIZE	B Sq OD FLANGE				
6 or 8	-	-	8	10-1/2	-	-	-	MP2781	1	1
9	16	18-1/2	-	-	-	-	-	MP2781	1	1
10	20	22-1/2	8	10-1/2	-	-	14	MP2781	1	1
12	20	22-1/2	15	17-1/2	-	-	18	MP2781	1	1
15	24	26-1/2	15	17-1/2	-	-	-	MP2781	1	1
16	-	-	-	-	-	-	22	MP2781	1	1
18	27	29-1/2	21	23-1/2	-	-	-	MP2781	1	1
20	42	44-1/2	21	23-1/2	-	-	26	MP2781	1	1
24/26	-	-	27	29-1/2	26	28-1/2	-	MP2781	1	1
30/33	-	-	34	36-1/2	32	34-1/2	-	MP2781	1	1
36	-	-	34	36-1/2	38	40-1/2	-	MP2781	1	1
42	-	-	-	-	44	46-1/2	-	MA220	1	2
48	-	-	-	-	50	52-1/2	-	MA220	1	2
54	-	-	-	-	56	58-1/2	-	MA220	1	2
60	-	-	-	-	62	65-1/2	-	MA220	1	2
72	-	-	-	-	76	78-1/2	-	MP220	4	4

Heavy Duty Dampers required on all units with 7 1/2HP motors and above.

ACCESSORY ITEMS	1	2	3	4	5	ACCESSORY ITEMS	1	2	3	4	5
<input type="checkbox"/>						<input type="checkbox"/>					
<input type="checkbox"/>						<input type="checkbox"/>					
<input type="checkbox"/>						<input type="checkbox"/>					
<input type="checkbox"/>						<input type="checkbox"/>					

Project: \_\_\_\_\_ Submitted: \_\_\_\_\_  
 Customer: \_\_\_\_\_ Approved: \_\_\_\_\_  
 Location: \_\_\_\_\_

Subject to change unless approved in submittal by Soler & Palau

DMPR\_RoofSup\_Submittal\_0414

