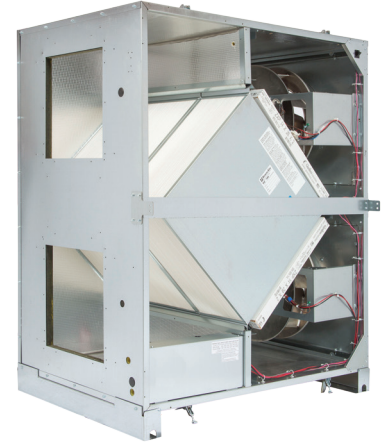




MODEL TRCe1200

(Energy Recovery Ventilators (ERV) with EC Motor)

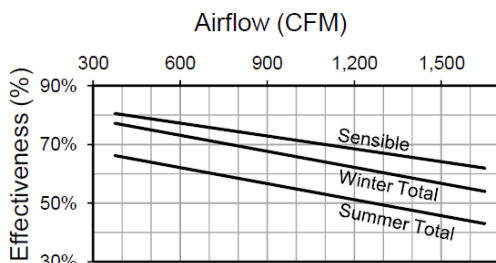


Specifications

Ventilation Type: Static Plate, Heat and Humidity Transfer						
Typical Airflow Range: 375-1,575 CFM						
AHRI 1060 Certified Cores: One L62-G5 and one L125-G5						
Motors: Qty 2, 1.0 HP ea., Direct Drive EC blower/motor package						
Drive HP	V	Hz	Phase	FLA (per motor)	Min. Cir. Amps	Max. Overcurrent Protection Device
1.0	120	60	Single	6.5	14.6	20
	208-230	60	Single	3.3-3.4	7.7	15
Standard Features: 24 VAC Transformer/Relay Package						
Filters: Total Qty. 4, MERV 8: (2) 14" x 20" x 2" and (2) 16" x 20" x 2"						
Dimensions & Weight: 53 1/4" L x 34 1/2" W x 53 3/4" H, 336-463 lbs. (varies)						
Shipping Dimensions & Weight (max. on pallet): 70" L x 47" W x 53" H, 530 lbs.						



CORE PERFORMANCE



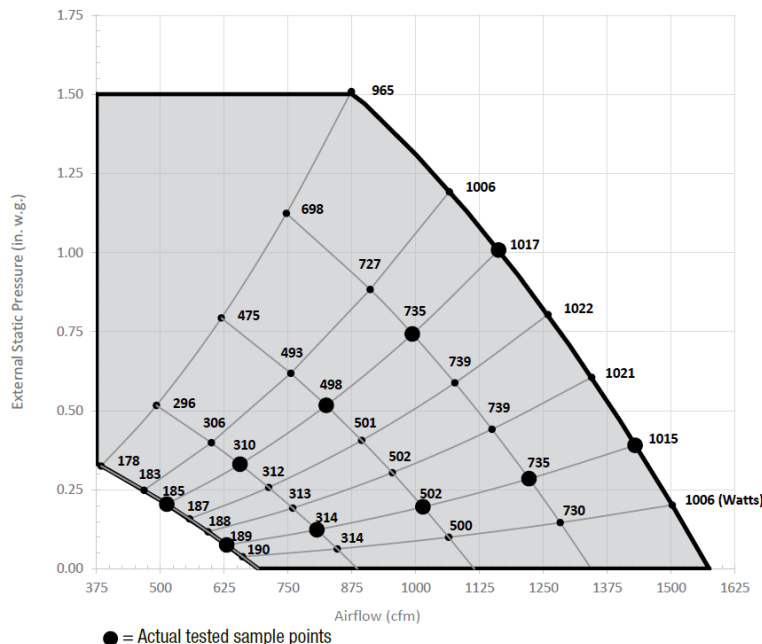
At AHRI 1060 standard conditions. See all AHRI certified ratings at www.ahrinet.org.

Core Performance

Airflow CFM	ESP in H ₂ O	Watts
630	0.07	189
807	0.12	314
1014	0.20	502
1222	0.28	735
1430	0.39	1015
513	0.20	185
656	0.33	310
825	0.52	498
994	0.74	735
1163	1.01	1017

Note: Watts is for the entire unit.

Note: Airflow performance includes effect of clean, standard filter supplied with unit.

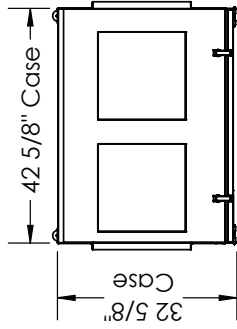


For more information contact us at www.solerpalau-usa.com or 1.800.961.7370 for additional submittal drawings. Soler & Palau will not be responsible for fabrication changes or errors resulting from customer use of a non-current submittal drawing.

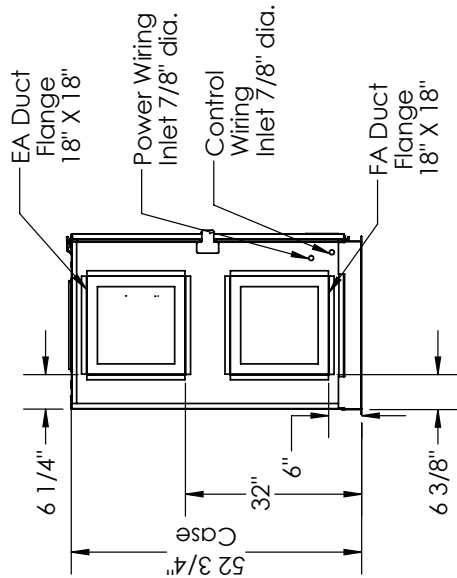
Dimensions

MODEL TRC1200

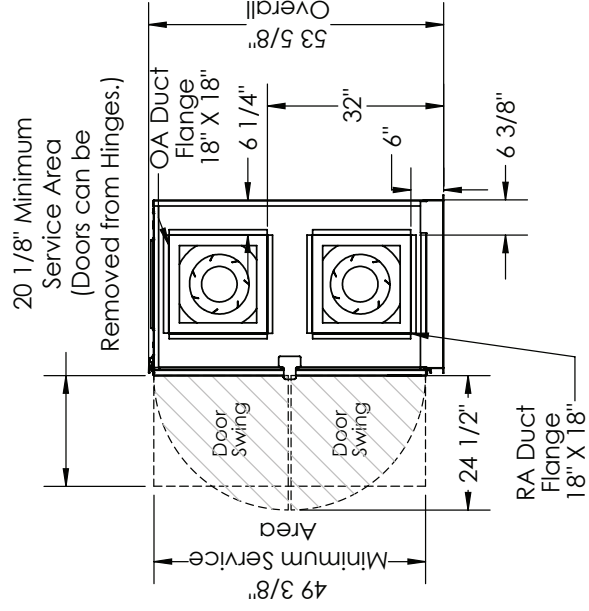
EA: Exhaust Air to outdoors
 OA: Outdoor Air intake
 RA: Room Air to be exhausted
 FA: Fresh Air to inside



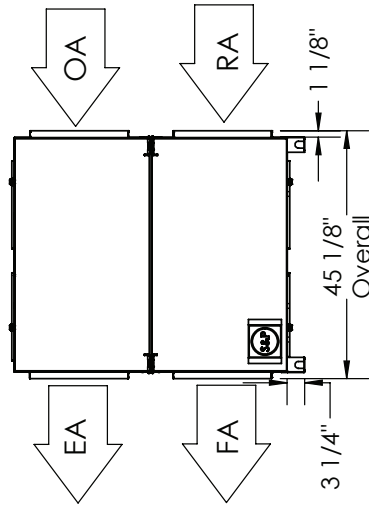
TOP VIEW



LEFT VIEW



RIGHT VIEW



FRONT VIEW