



P: 800.961.7370  
www.solerpalau-usa.com



# MODEL TRC800

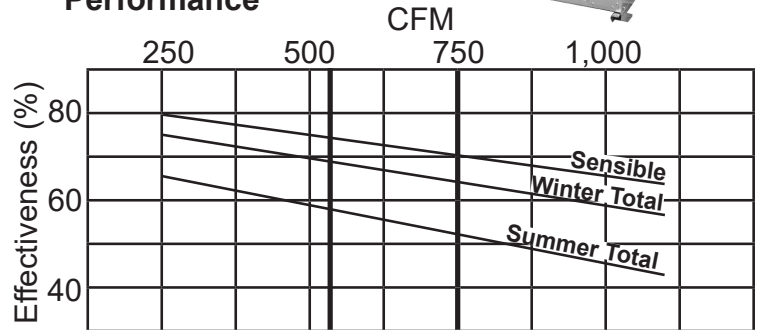
(Energy Recovery Ventilators (ERV))



## Specifications

| Ventilation Type: Static Plate, Heat and Humidity Transfer     |    |        |                 |                |                                    |
|--|----|--------|-----------------|----------------|------------------------------------|
| Typical Airflow Range: 250-925 CFM                             |    |        |                 |                |                                    |
| AHRI 1060 Certified Core: One L125-00                          |    |        |                 |                |                                    |
| Airflow Rating Points (for AHRI): 750 CFM and 563 CFM          |    |        |                 |                |                                    |
| Number Motors: Two direct drive blower/motor packages          |    |        |                 |                |                                    |
| V  | Hz | Phase  | FLA (per motor) | Min. Cir. Amps | Max. Overcurrent Protection Device |
| 115  | 60 | Single | 9.0             | 20.3           | 25                                 |
| 208-230  | 60 | Single | 4.5             | 10.1           | 15                                 |
| Standard Features: 24 VAC Transformer/Relay Package            |    |        |                 |                |                                    |
| Filters: Two total, MERV 8, 2" pleated, 20" x 20" nominal size |    |        |                 |                |                                    |
| Weight: 211 lbs (unit), 300 lbs (shipping weight, on pallet)   |    |        |                 |                |                                    |
| Shipping Dimensions: 62" L x 48" W x 40" H                     |    |        |                 |                |                                    |

## Performance



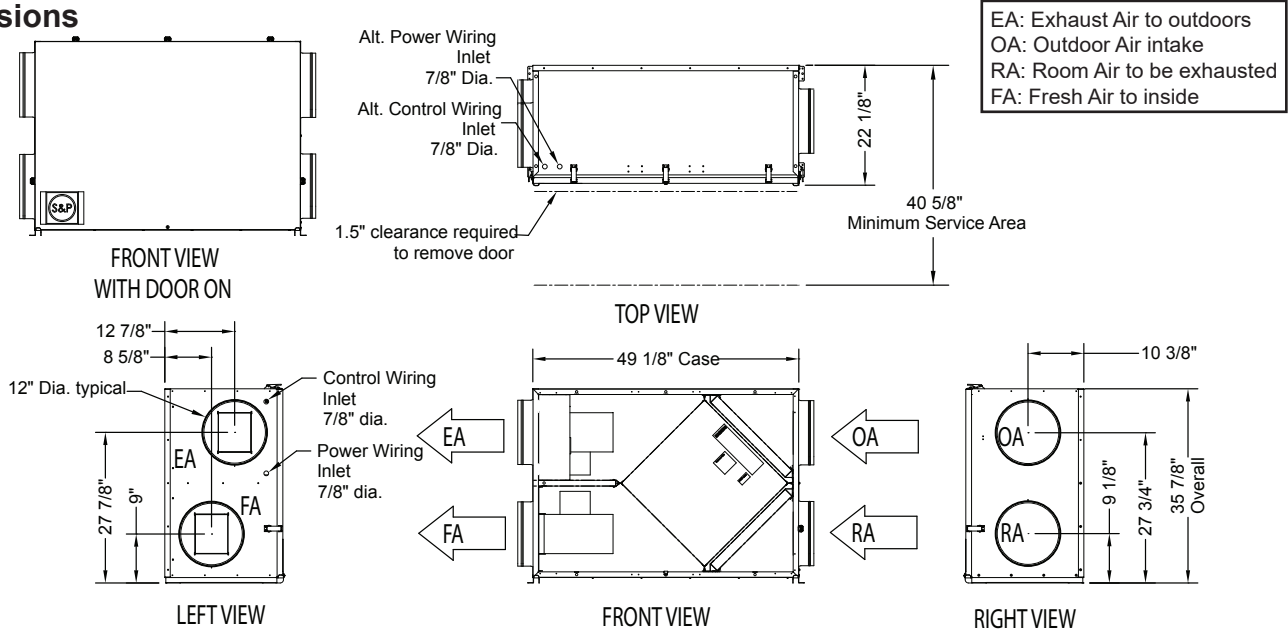
\* At AHRI 1060 standard conditions  
(Contact Factory for certified data for core components.)

## Airflow Performance

| Motor HP<br>Phase | External Static Pressure (Inches Water Column) |             |             |             |             |           |           |
|-------------------|--|-------------|-------------|-------------|-------------|-----------|-----------|
|                   | 0.0  | 0.25        | 0.5         | 0.75        | 0.9         | 1.25      | 1.5       |
| 0.75              | 970 CFM  | 925 CFM     | 860 CFM     | 795 CFM     | 750 CFM     | 635 CFM   | 480 CFM   |
| Single Phase      | 1,490 Watts                                    | 1,375 Watts | 1,270 Watts | 1,160 Watts | 1,090 Watts | 950 Watts | 825 Watts |

Note: Watts is for the entire unit (two motors).

## Dimensions



For more information contact us at [www.solerpalau-usa.com](http://www.solerpalau-usa.com) or 1.800.961.7370 for additional submittal drawings. Soler & Palau will not be responsible for fabrication changes or errors resulting from customer use of a non-current submittal drawing.