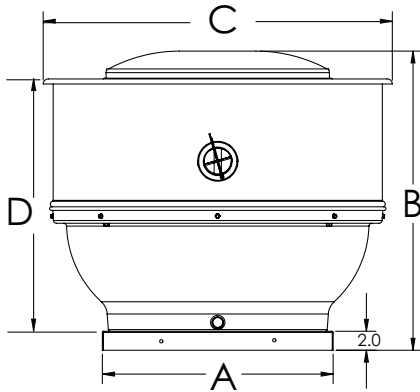




MODEL STXDe CENTRIFUGAL UPBLAST ROOF EXHAUSTERS WITH EC MOTORS



STANDARD FEATURES

- Exhaust air up to 4,780 CFM in high static pressure applications up to 1-1/2" w.g.
- Attractive spun aluminum exterior
- Direct drive units have low sound levels and quiet operation
- Curved non-overloading backward inclined wheel for efficiency at higher static pressures
- Roof or sidewall mounting options
- AMCA Air and Sound Licensed
- cULus 705 Listed

| Size | A | B | C | D | Roof Opening | Curb O.D. | Damper O.D. | Average Ship Wt. Lbs. |
|------|--------|--------|--------|--------|--------------|-----------|-------------|-----------------------|
| 6 | 18 1/9 | 25 1/3 | 28 3/5 | 20 1/3 | 13 1/2 | 16 1/2 | 12 | 90 |
| 7 | 18 1/9 | 25 1/3 | 28 3/5 | 20 1/3 | 13 1/2 | 16 1/2 | 12 | 89 |
| 8 | 18 1/9 | 25 1/3 | 28 3/5 | 20 1/3 | 13 1/2 | 16 1/2 | 12 | 98 |
| 10 | 18 1/9 | 25 1/3 | 28 3/5 | 20 1/3 | 13 1/2 | 16 1/2 | 12 | 114 |
| 12 | 20 1/9 | 26 8/9 | 31 1/3 | 21 8/9 | 15 1/2 | 18 1/2 | 14 | 118 |
| 14 | 20 1/9 | 26 8/9 | 31 1/3 | 21 8/9 | 15 1/2 | 18 1/2 | 14 | 117 |
| 15 | 24 1/9 | 27 3/5 | 36 1/2 | 22 3/5 | 19 1/2 | 22 1/2 | 18 | 135 |
| 16 | 24 1/9 | 27 3/5 | 36 1/2 | 22 3/5 | 19 1/2 | 22 1/2 | 18 | 136 |

| FAN SPECIFICATIONS | | | | | | | | | MOTOR SPECIFICATIONS | | | | |
|--------------------|------|-----------|-----|-----|----|---------|-----|-------|----------------------|-------|-------|-------|------|
| Line | Qty. | Model No. | Tag | CFM | SP | Fan RPM | BHP | Sones | HP | Volts | Phase | Hertz | Encl |
| 1 | | | | | | | | | | | | | |
| 2 | | | | | | | | | | | | | |
| 3 | | | | | | | | | | | | | |
| 4 | | | | | | | | | | | | | |
| 5 | | | | | | | | | | | | | |

| ACCESSORY ITEMS | | | | | 1 | 2 | 3 | 4 | 5 | ACCESSORY ITEMS | | | | | 1 | 2 | 3 | 4 | 5 |
|--------------------------|--|--|--|--|---|---|---|---|---|--------------------------|--|--|--|--|---|---|---|---|---|
| <input type="checkbox"/> | | | | | | | | | | <input type="checkbox"/> | | | | | | | | | |
| <input type="checkbox"/> | | | | | | | | | | <input type="checkbox"/> | | | | | | | | | |
| <input type="checkbox"/> | | | | | | | | | | <input type="checkbox"/> | | | | | | | | | |
| <input type="checkbox"/> | | | | | | | | | | <input type="checkbox"/> | | | | | | | | | |
| <input type="checkbox"/> | | | | | | | | | | <input type="checkbox"/> | | | | | | | | | |

Subject to change unless approved in submittal by S&P
STXDe-Submittal-0817