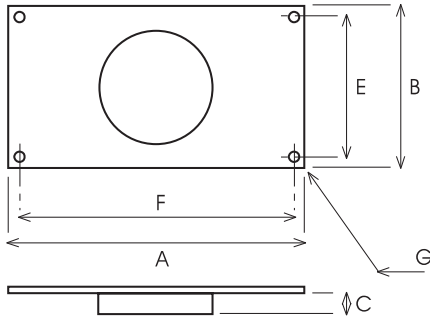




P: 800.961.7370  
www.solerpalau-usa.com

# MAR - Rectangular Duct Connector

Fits over the lip of TD and enables TD to be connected to rectangular ducting.



Dimensions inches/mm

Model	A	B	C	E	F	G
MAR-100	10 <sup>3/8</sup> 264	7 <sup>1/16</sup> 180	1 <sup>5/16</sup> 33	6 <sup>5/16</sup> 160	9 <sup>5/8</sup> 244	3/8 9
MAR-125	10 <sup>3/8</sup> 264	7 <sup>1/16</sup> 180	1 <sup>5/16</sup> 33	6 <sup>5/16</sup> 160	9 <sup>5/8</sup> 244	3/8 9
MAR-150	12 <sup>5/8</sup> 320	8 <sup>11/16</sup> 220	1 <sup>7/16</sup> 37	7 <sup>7/8</sup> 200	11 <sup>13/16</sup> 300	3/8 9
MAR-200	14 355	9 <sup>7/16</sup> 240	1 <sup>7/16</sup> 37	8 <sup>11/16</sup> 220	13 <sup>3/16</sup> 335	3/8 9
MAR-250	17 <sup>5/16</sup> 440	11 <sup>7/16</sup> 290	1 <sup>5/8</sup> 42	10 <sup>5/8</sup> 270	16 <sup>9/16</sup> 420	3/8 9
MAR-315	21 <sup>1/4</sup> 540	14 355	2 <sup>1/16</sup> 52	14 355	20 <sup>1/2</sup> 520	3/8 9

## TD/MCA Cross Reference

Model	Type TD - TDx2 - TDx3 TWIN	Nominal dim. of ducting L x H (in/mm)
MAR-100	100	9 x 6 224 x 140
MAR-125	125	9 x 6 224 x 140
MAR-150	150	11 x 7 280 x 180
MAR-200	200	12 x 8 315 x 200
MAR-250	250	16 x 10 400 x 250
MAR-315	315	20 x 12 500 x 315

ACCESSORY MODEL	1	2	3	4	5	REMARKS

Project: _____	Submitted: _____
Customer: _____	Approved: _____
Location: _____	

For more information contact us at [www.solerpalau-usa.com](http://www.solerpalau-usa.com) or 1.800.961.7370 for additional submittal drawings.

Soler & Palau will not be responsible for fabrication changes or errors resulting from customer use of a non-current submittal drawing.

