

P: 800.961.7370
www.solerpalau-usa.com

MODEL HR100V

(Heat Recovery Ventilators (HRV))



Specifications

Polypropylene HRV Core: cross-flow that transfers sensible heat			
Typical Airflow Range: 30-100 CFM			
Duct Connections: Four (4) 5" oval ISF double collar system			
Number Motors: Two (2) PSC variable speed backward curved			
V	Hz	Phase	Amperage
120	60	Single	0.85 A / 66 watts
Exchange surface: 63.5 ft ²			
Defrost type: Evacuation			
Filters: Two (2) Fiberbond washable			
Drain Connection: 1/2"			
DuoTrol: Integrated Balancing System			
Weight: 33.5 lbs (unit), 41 lbs (in carton)			
Dimensions: 22" W x 19-13/16" L x 14-19/32" H			
Options: HRT-3 - Push Button Timer HRRD-1 - Dehumidistat HRRD-3P - Dehumidistat			

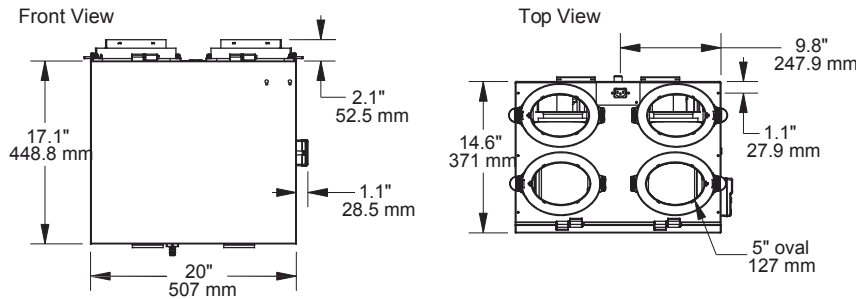
Energy Performance (Heating)

Supply Temperature		Net Air Flow		Power Consumed (Watts)	Sensible Recovery Efficiency	Apparent Sensible Effectiveness
°F	°C	CFM	L/s			
32	0	40	19	28	64	72
32	0	65	30	40	59	66
-13	-25	37	18	30	55	73

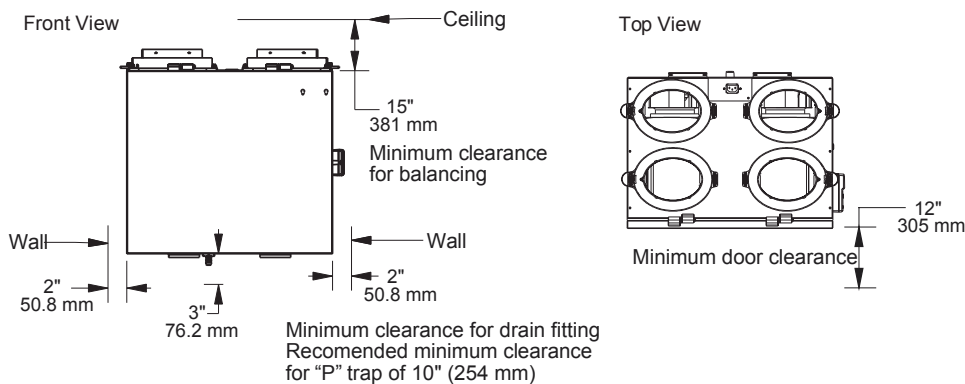
Ventilation Performance

External Static Pressure		Net Air Flow		Gross Air Flow Supply		Gross Air Flow Exhaust	
Pa	in. w.g.	L/s	CFM	L/s	CFM	L/s	CFM
25	0.1	47	99	48	100	48	102
50	0.2	44	93	45	94	43	92
75	0.3	39	83	40	84	38	80
100	0.4	35	75	35	75	36	78
125	0.5	30	65	30	66	32	68
150	0.6	27	56	27	57	25	52
175	0.7	22	46	22	47	19	41

Dimensions



Minimum Clearance Data



For more information contact us at www.solerpalau-usa.com or 1.800.961.7370 for additional submittal drawings. S&P will not be responsible for fabrication changes or errors resulting from customer use of a non-current submittal drawing.

