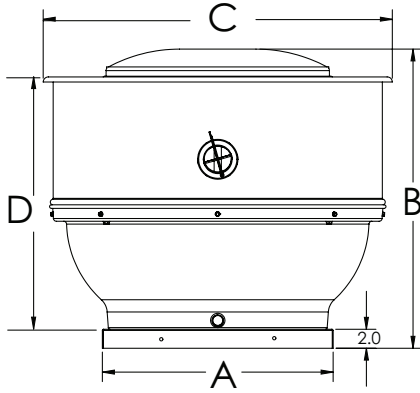




MODEL STXD DIRECT DRIVE CENTRIFUGAL UPBLAST ROOF EXHAUSTERS



STANDARD FEATURES

- Exhaust air up to 4,780 CFM in high static pressure applications up to 1-1/2" w.g.
- Attractive spun aluminum exterior
- Direct drive units have low sound levels and quiet operation
- Curved non-overloading backward inclined wheel for efficiency at higher static pressures
- Roof or sidewall mounting options
- AMCA Air and Sound Licensed
- cULus 705 or 762 Listed
- NFPA - suitable for National Fire Protection Association Installations

Size	A	B	C	D	Roof Opening	Curb O.D.	Damper O.D.	Average Ship Wt. Lbs.
6	18.1	25.3	28.6	20.3	13 1/2	16 1/2	12	90
7	18.1	25.3	28.6	20.3	13 1/2	16 1/2	12	89
8	18.1	25.3	28.6	20.3	13 1/2	16 1/2	12	98
10	18.1	25.3	28.6	20.3	13 1/2	16 1/2	12	114
12	20.1	26.9	31.3	21.9	15 1/2	18 1/2	14	118
14	20.1	26.9	31.3	21.9	15 1/2	18 1/2	14	117
15	24.1	27.6	36.5	22.6	19 1/2	22 1/2	18	135
16	24.1	27.6	36.5	22.6	19 1/2	22 1/2	18	136

FAN SPECIFICATIONS									MOTOR SPECIFICATIONS				
Line	Qty.	Model No.	Tag	CFM	SP	Fan RPM	BHP	Sones	HP	Volts	Phase	Hertz	Encl
1													
2													
3													
4													
5													

ACCESSORY ITEMS	1	2	3	4	5	ACCESSORY ITEMS	1	2	3	4	5
<input type="checkbox"/>						<input type="checkbox"/>					
<input type="checkbox"/>						<input type="checkbox"/>					
<input type="checkbox"/>						<input type="checkbox"/>					
<input type="checkbox"/>						<input type="checkbox"/>					
<input type="checkbox"/>						<input type="checkbox"/>					