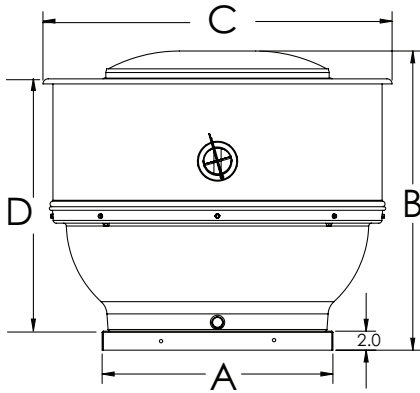




# MODEL STXB BELT DRIVE CENTRIFUGAL UPBLAST ROOF EXHAUSTER



### STANDARD FEATURES

- Attractive spun aluminum exterior
- Belt drives permit easy performance adjustments when needed
- Curved non-overloading backward inclined wheel for efficiency at higher static pressures
- Roof or sidewall mounting options
- AMCA Air and Sound Licensed
- cULus 705 or 762 Listed
- NFPA - suitable for National Fire Protection Association Installations



Size	A	B	C	D	Roof Opening	Curb O.D.	Damper (O.D.)	Average Ship Wt. Lbs.
8	18.1	29.3	28.6	24.3	13 1/2	16 1/2	12	109
10	18.1	29.3	28.6	24.3	13 1/2	16 1/2	12	109
12	20.1	30.8	31.3	25.9	15 1/2	18 1/2	14	122
14	20.1	30.8	31.3	25.9	15 1/2	18 1/2	14	126
15	24.1	31.4	36.5	26.6	19 1/2	22 1/2	18	140
16	24.1	31.4	36.5	26.6	19 1/2	22 1/2	18	140
18	30.2	32.7	42.6	30.5	25 1/2	28 1/2	24	171
20	30.2	38.6	46.4	33.3	25 1/2	28 1/2	24	178
22	30.2	38.6	46.4	33.3	25 1/2	28 1/2	24	178
24	36	49 3/16	50	38 1/2	31 1/2	34 1/2	30	290
27	36	51 11/16	60 7/8	41 1/2	31 1/2	34 1/2	30	300
30	42	52 3/8	64 7/8	42 3/16	37 1/2	40 1/2	36	336

NOTE: All dimensions shown are in inches.

FAN SPECIFICATIONS									MOTOR SPECIFICATIONS				
Line	Qty.	Model No.	Tag	CFM	SP	Fan RPM	BHP	Sones	HP	Volts	Phase	Hertz	Encl
1													
2													
3													
4													
5													

ACCESSORY ITEMS					1	2	3	4	5	ACCESSORY ITEMS					1	2	3	4	5
<input type="checkbox"/>										<input type="checkbox"/>									
<input type="checkbox"/>										<input type="checkbox"/>									
<input type="checkbox"/>										<input type="checkbox"/>									
<input type="checkbox"/>										<input type="checkbox"/>									
<input type="checkbox"/>										<input type="checkbox"/>									

Subject to change unless approved in submittal by S&P  
STXB-Submittal-0817