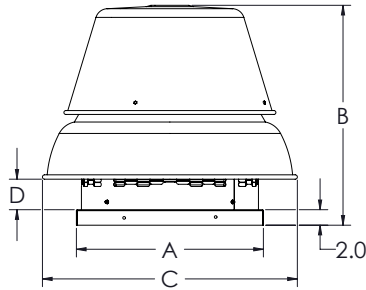
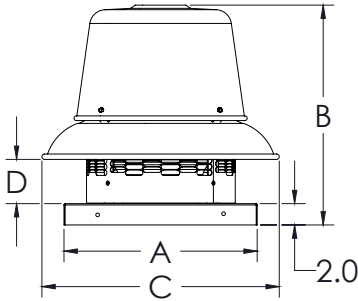




MODEL SDBDe CENTRIFUGAL DOWNBLAST ROOF FANS WITH EC MOTORS

SDBDe Sizes 6, 7, 8, & 10

SDBDe Sizes 12, 14, 15, & 16



STANDARD FEATURES

- Exhaust air up to 4,980 CFM in high static pressure applications up to 1-3/4" w.g.
- Attractive spun aluminum exterior
- Direct drive units have low sound levels and quiet operation
- Curved non-overloading backward inclined wheel for efficiency at higher static pressures
- AMCA Air and Sound Licensed
- cULus 705 Listed
- Ecowatt®



Ecowatt®

Size	A	B	C	D	Roof Opening	Curb O.D.	Damper O.D.	Average Ship Wt. Lbs.
6	18.13	14.10	22.30	1.50	13 1/2	16 1/2	12	109
7	18.13	16.80	22.30	4.10	13 1/2	16 1/2	12	109
8	18.13	16.80	22.30	4.10	13 1/2	16 1/2	12	109
10	18.13	19.80	22.30	5.10	13 1/2	16 1/2	12	109
12	20.11	27.60	27.60	3.90	15 1/2	18 1/2	14	122
14	20.11	27.60	27.60	3.90	15 1/2	18 1/2	14	126
15	24.11	28.30	32.90	4.00	19 1/2	22 1/2	18	140
16	24.11	28.30	32.90	4.00	19 1/2	22 1/2	18	140

FAN SPECIFICATIONS									MOTOR SPECIFICATIONS				
Line	Qty.	Model No.	Tag	CFM	SP	Fan RPM	BHP	Sones	HP	Volts	Phase	Hertz	Encl
1													
2													
3													
4													
5													

ACCESSORY ITEMS					ACCESSORY ITEMS						
	1	2	3	4	5		1	2	3	4	5
<input type="checkbox"/>						<input type="checkbox"/>					
<input type="checkbox"/>						<input type="checkbox"/>					
<input type="checkbox"/>						<input type="checkbox"/>					
<input type="checkbox"/>						<input type="checkbox"/>					
<input type="checkbox"/>						<input type="checkbox"/>					