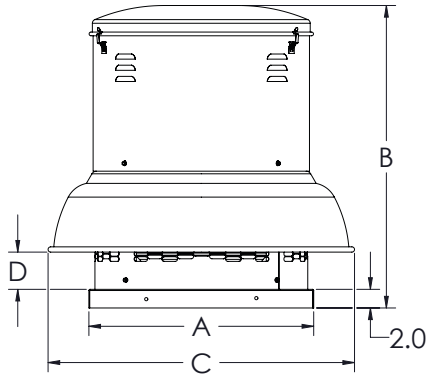




MODEL SDB BELT DRIVE CENTRIFUGAL DOWNBLAST ROOF EXHAUSTER



STANDARD FEATURES

- Attractive spun aluminum exterior
- Belt drives permit easy performance adjustments when needed
- Curved non-overloading backward inclined wheel for efficiency at higher static pressures
- AMCA Air and Sound Licensed
- cULus 705 Listed



Size	A	B	C	D	Roof Opening	Curb O.D.	Damper (O.D.)	Average Ship Wt. Lbs.
6	18.13	30.10	25	3.40	13 1/2	16 1/2	12	109
7	18.13	30.10	25	3.40	13 1/2	16 1/2	12	109
8	18.13	30.10	25	3.40	13 1/2	16 1/2	12	109
10	18.13	30.10	25	3.40	13 1/2	16 1/2	12	109
12	20.13	31.70	27.50	3.90	15 1/2	18 1/2	14	122
14	20.13	31.70	27.50	3.90	15 1/2	18 1/2	14	126
15	24.13	32.50	32.90	4.00	19 1/2	22 1/2	18	140
16	24.13	32.50	32.90	4.00	19 1/2	22 1/2	18	140
18	30.16	36.40	39.20	4.60	25 1/5	28 1/2	24	111
20	30.16	38.30	45	6.10	25 1/5	28 1/2	24	138
22	30.16	38.30	45	6.10	25 1/5	28 1/2	24	140
24	36	46.625	49.375	6.0625	31 1/2	34 1/2	30	270
27	36	49.13	49.375	8.5625	31 1/2	34 1/2	30	280
30	42	50.25	56	7.375	37 1/2	40 1/2	36	300

NOTE: All dimensions shown are in inches.

FAN SPECIFICATIONS									MOTOR SPECIFICATIONS				
Line	Qty.	Model No.	Tag	CFM	SP	Fan RPM	BHP	Sones	HP	Volts	Phase	Hertz	Encl
1													
2													
3													
4													
5													

ACCESSORY ITEMS					1	2	3	4	5	ACCESSORY ITEMS					1	2	3	4	5
<input type="checkbox"/>										<input type="checkbox"/>									
<input type="checkbox"/>										<input type="checkbox"/>									
<input type="checkbox"/>										<input type="checkbox"/>									
<input type="checkbox"/>										<input type="checkbox"/>									
<input type="checkbox"/>										<input type="checkbox"/>									

Subject to change unless approved in submittal by S&P
SDB-Submittal_v.3-0618