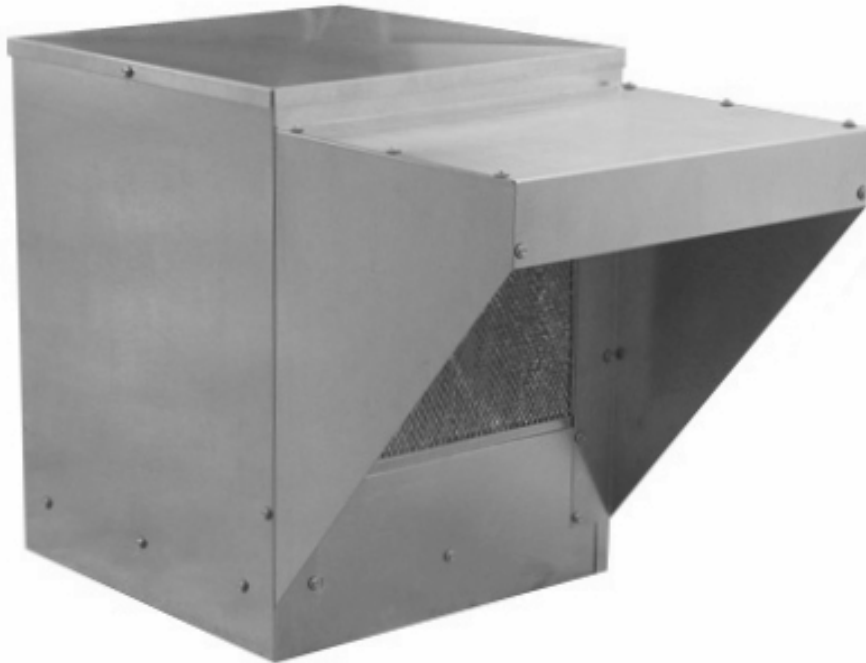

Instructions for Duct Extension

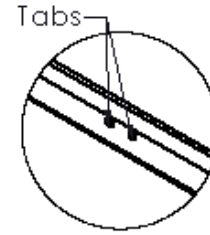
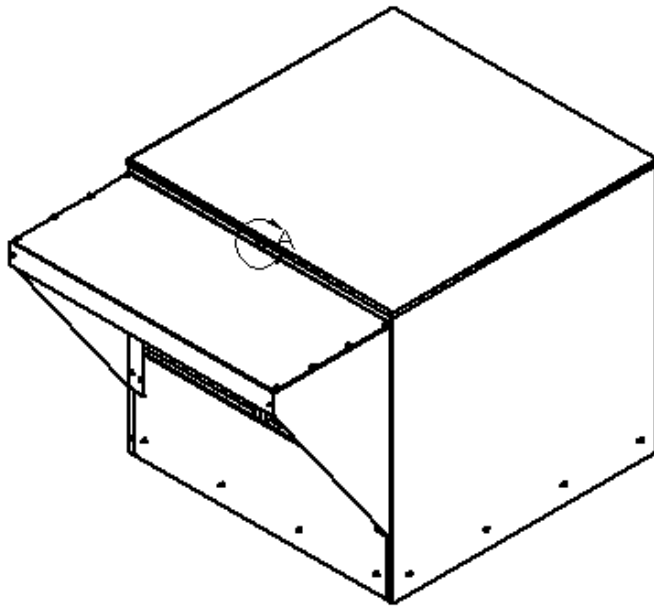


Receiving Shipments

Upon receiving unit, check for any interior or exterior damage that may occurred during transit. If found, report damages to the carrier immediately. Check that all accessory items are accounted for and damage free.

Caution!

Please read and save these instructions for future reference. Read carefully before attempting to assemble, install, operate or maintain the product described. Protect yourself and others by observing all safety information. Failure to comply with instructions could result in personal injury and/or property damage.

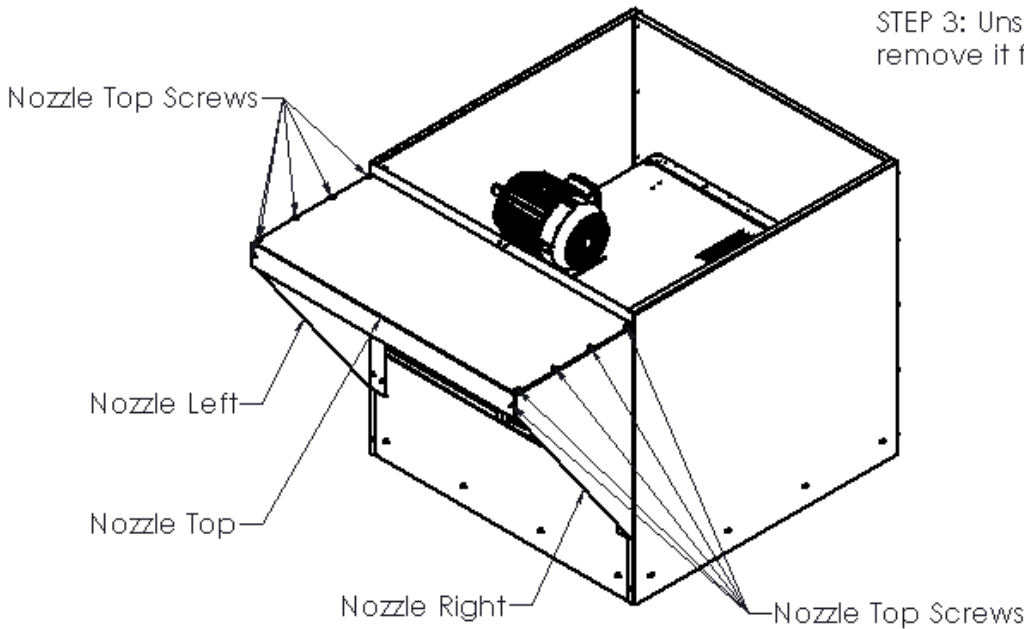


DETAIL A
SCALE 1:2

STEP 1: Bend the two tabs shown in detail A up 90°, so they are pointing straight out.

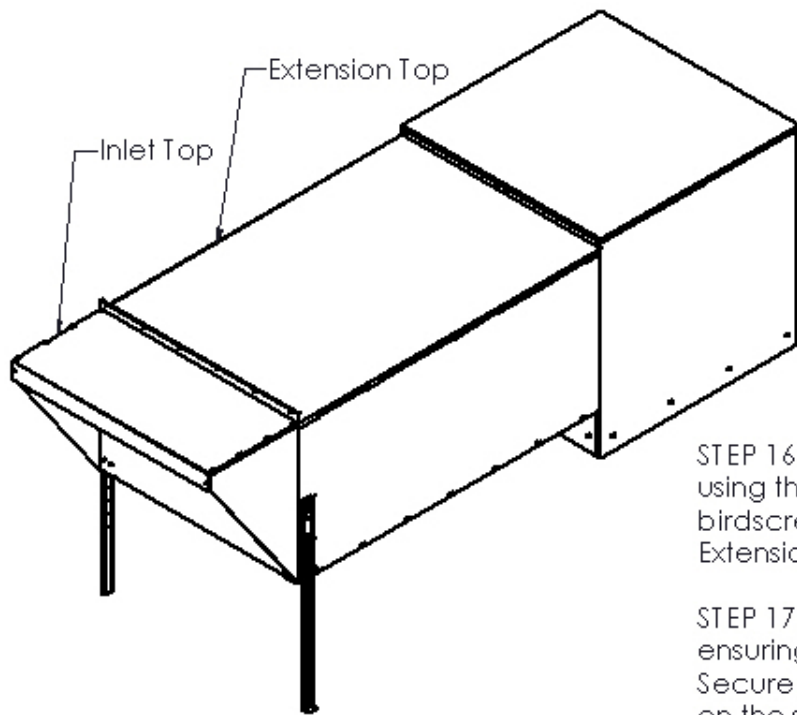
STEP 2: Remove the unit cover by unscrewing the two screws on the sides of the cover.

DUCT OPERATOR ASSEMBLY INSTRUCTIONS 2018-2019			PART NUMBER 223-000		DATE 01/18/2018	
MODEL 223-000	SERIAL 223-000	PART 223-000			Duct Operator Assembly Instructions	
LOCATION JACKSONVILLE, FLORIDA			JACKSONVILLE, FLORIDA			
DATE 01/18/2018			Duct Operator		16	



STEP 3: Unscrew the nozzle top and remove it from the assembly.

DUCT OPERATOR ASSEMBLY INSTRUCTIONS 2018-2019			PART NUMBER 223-000		DATE 01/18/2018	
MODEL 223-000	SERIAL 223-000	PART 223-000			Duct Operator Assembly Instructions	
LOCATION JACKSONVILLE, FLORIDA			JACKSONVILLE, FLORIDA			
DATE 01/18/2018			Duct Operator		16	



STEP 16: Attach the Inlet Top to the Extension Top using the #14 screws provided. Ensure the birdscreen is secured between the Inlet Top and Extension Top.

STEP 17: Place the unit cover back on the unit ensuring the flanges overlap all parts as shown. Secure the cover by re-installing the two screws on the sides.

BUNN-PROFESSIONAL SUPPLY COMPANY 100 W. BUNN STREET, JACKSONVILLE, FL 32202 TEL: 904.766.1111 FAX: 904.766.1112			BUNN-PROFESSIONAL 	Bunn Professional Assembly Instructions
MODEL: BUNN-PROFESSIONAL PART NUMBER: BUNN-PROFESSIONAL	MANUFACTURED BY: BUNN-PROFESSIONAL MADE IN: USA	JACKSONVILLE, FLORIDA	BUNN-PROFESSIONAL	

