

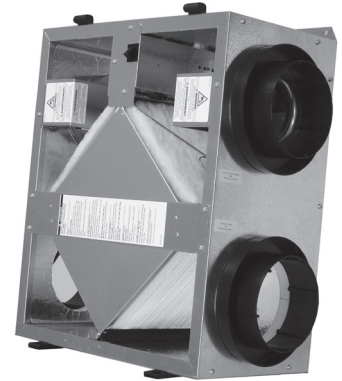


P: 800.961.7370
www.solerpalau-usa.com



MODEL TR90G

(Energy Recovery Ventilators (ERV))



Specifications

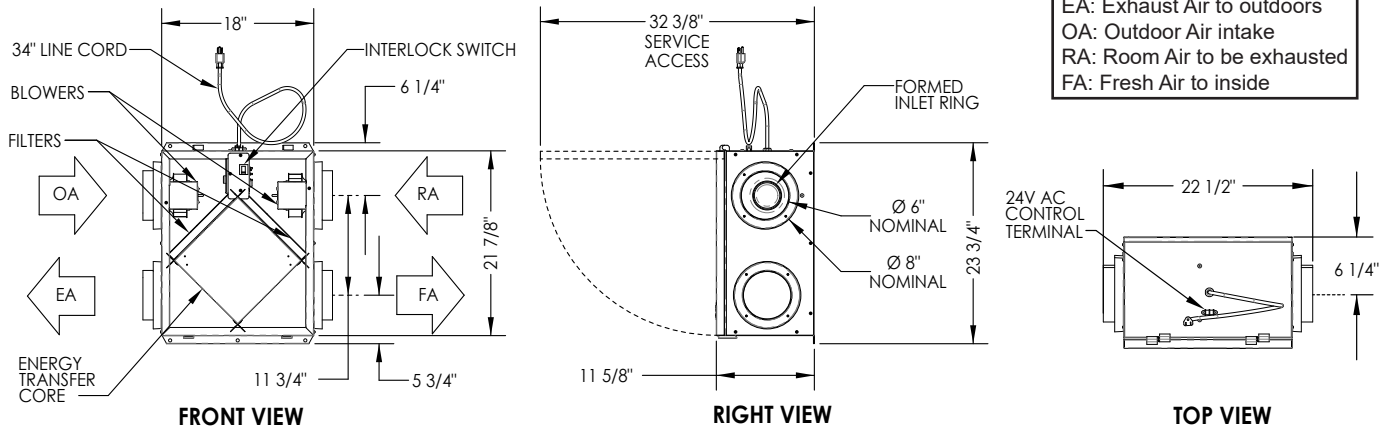
Ventilation Type: Static Plate, Heat and Humidity Transfer				
Typical Airflow Range: 40-110 CFM				
Galvanized Case, Line Voltage, No Line Cord				
Unit may be mounted in any orientation and in heated or unheated locations				
Number Motors: Two, 0.03 hp each, totally enclosed, thermally protected, 0.35A				
V	Hz	Phase	Input Watts	FLA
120	60	Single	46 @ 90 CFM	0.35
Control Voltage: 115 VAC				
Filters: MERV 8, spun polyester media. 7-12" x 10-1/2" x 1"				
Weight: 36 lbs (unit), 41 lbs (in carton)				
Shipping Dimensions: 21-1/2" W x 28-1/2" L x 14-3/4" H				

Core Performance

Airflow CFM	ESP in H ₂ O	Temp EFF%	Total EFF% Winter*	Total EFF% Summer*
40	0.60	84	74	56
58	0.50	80	69	50
73	0.40	77	65	46
85	0.30	74	62	43
98	0.20	71	59	39
113	0.10	68	56	34

* Contact Factory for HVI certification report for complete certified rating.

Dimensions



For more information contact us at www.solerpalau-usa.com or 1.800.961.7370 for additional submittal drawings. Soler & Palau will not be responsible for fabrication changes or errors resulting from customer use of a non-current submittal drawing.