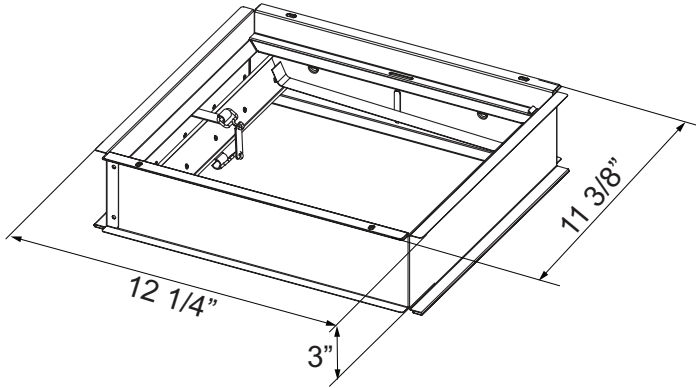




PCD110XMRD Radiation Damper for PCD110XM & PCD110XMH

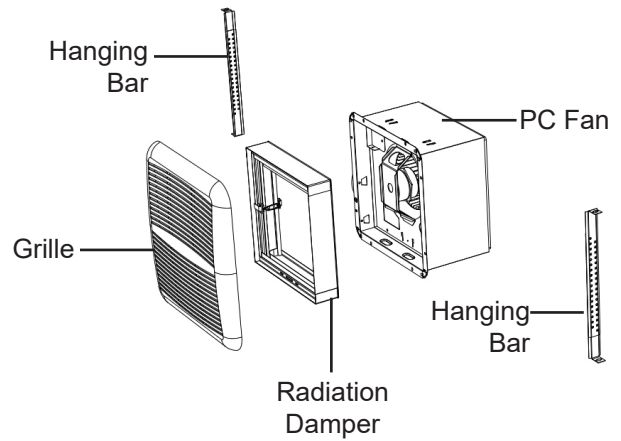
Dimensions



Specifications

- Kit includes PCRD-P2 and wiring extender
- 3-hour rating ceiling radiation dampers
- UL Listed Link (165°F Standard)
- UL Approved flexible fire blanket
- Ceramic fiber with fiberglass cover
- Roll-formed frame 22 g. galvanized steel

Components (Fan not included with PCD110XMRD)



Note: Fan shown is not the PCD110XM or PCD110XMH

ACCESSORY MODEL	1	2	3	4	5	REMARKS

PROJECT: _____ CONTRACTOR: _____
 LOCATION: _____ REVISION DATE: _____
 FORM NO.: _____ SUBMITTED BY: _____ DATE: _____
 ENGINEER: _____ APPROVED BY: _____ DATE: _____

For more information contact us at www.solerpalau-usa.com or 1.800.961.7370 for additional submittal drawings.

S&P will not be responsible for fabrication changes or errors resulting from customer use of a non-current submittal drawing.