



MODEL PCD110X (ALL VARIATIONS)

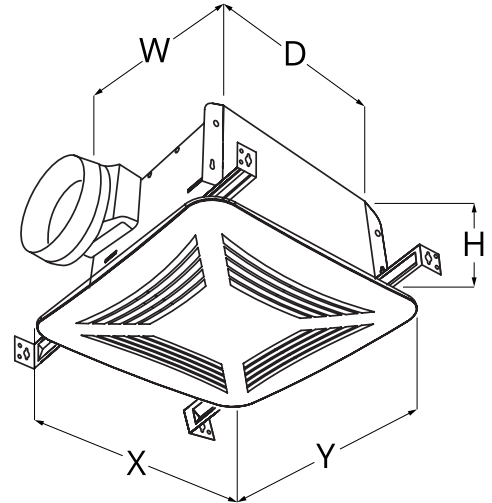
PREMIUM CHOICE WITH DC MOTOR

Ceiling Mounted Ventilation Fan

Performance & Dimensions

Speed Setting	40	90	110	120	140
CFM @ 0.1" SP	40	90	110	120	140
CFM @ 0.25" SP	-	51	78	91	113
Sones @ 0.1" SP	< 0.3	0.5	0.9	1.2	1.5
Watts @ 0.1" SP	4.2	8.1	10.3	12.2	15.6
Energy Efficiency @ 0.1" SP (CFM/Watts)	9.6	12.2	11.4	10.8	9.4
Max Amps	0.09	0.16	0.20	0.22	0.27
Duct Connector Diameter (in)	6				
Grille Size (in)	13 x 14				
Dimensions (in)	X	Y	W	D	H
	13	14	11-3/8	10-1/2	7-5/8

Energy Efficiency based on actual tested airflow and watts.



Standard Features per Model

Model	Built-in Control	Grille
PCD110X	-	Standard
PCD110XH	Humidity Sensor	Standard
PCD110XM	-	Motion Sensing
PCD110XMH	Humidity Sensor	Motion Sensing
PCD110XIAQS	IAQ Sense	Standard



CONFORMS TO UL STD. NO. 507
CERTIFIED TO CSA STD. C22.2 NO. 113

Options & Accessories:

- Lighted Grille (CFL or LED)
- Metal Grille
- Motion Sensing Grilles
- Radiation Dampers & Kits

Typical Specifications:

Ventilating fan shall be S&P PCD110X mounted in the ceiling. The fan shall have a 6-year warranty. The fan shall be HVI Certified at 0.1 inch water gauge for CFM performance above. The fan shall be ENERGY STAR® qualified. The motor shall be ETL and cETL Listed with impedance protection plus additional thermal protection.

Contact the factory for more information or additional submittal drawings. We are not responsible for fabrication changes or errors resulting from customer use of a non-current submittal drawing.

All specifications are subject to change without notice unless approved in submittal by S&P.
PCD110X_v.1 / 05-2018