



MD6 - Motorized Damper Submittal

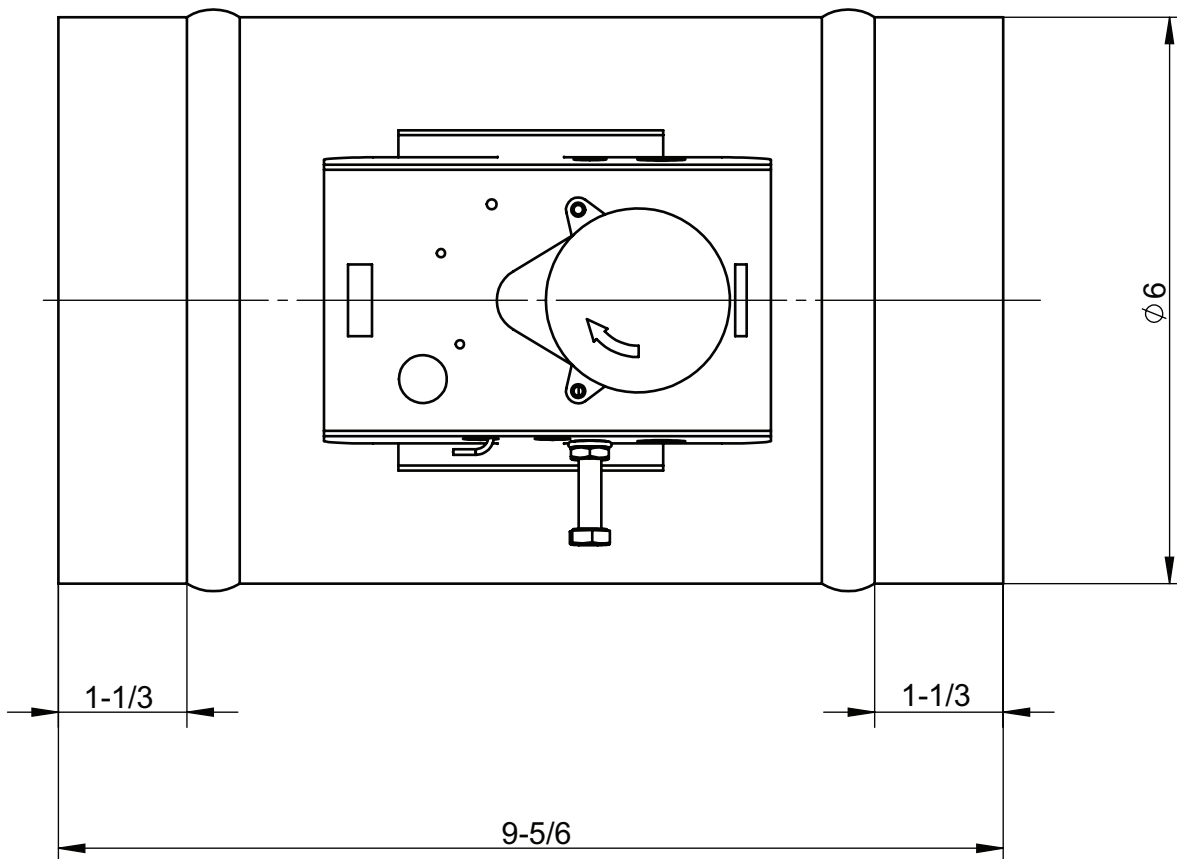


This normally closed, power open, 24V motorized damper for 6" round duct can be used to control the sequencing of outside air in forced-air systems.

Specifications

Round Duct Size (inches)	Frequency	Voltage	Current	Number of Speeds	RPM	Ins Class	Duty	Rated Ambient (°C)
6	60 Hz	24	0.3 A	1	6	A	Int	40

Dimensions



All specifications are subject to change without notice unless approved in submittal by S&P USA.

MD6-Submittal_V.2-5-2018