

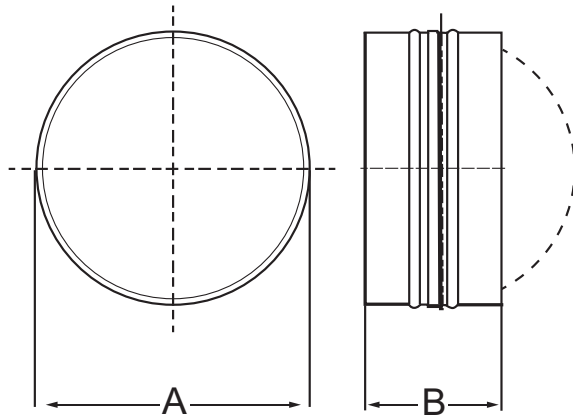


CAR - Metal Backdraft Damper

Backdraft dampers are designed with galvanized steel collars and have lightweight aluminum damper blades. They are spring loaded for positive closure.

Specifications:

- PVC Foam Seal
- 27 Ga. Galvanized Collar
- 29 Ga. (0.011") Galvanized Aluminum Blade



Dimensions in mm/inches

Model	A	B	Wgt. (lbs)
CAR-100	100 3 15/16	80 3 1/8	1
CAR-125	125 4 15/16	100 3 15/16	1
CAR-150	150 5 7/8	120 4 3/4	1
CAR-200	200 7 7/8	140 5 1/2	1
CAR-250	250 9 13/16	140 5 1/2	2
CAR-315	315 12 3/8	140 5 1/2	2
CAR-355	355 14	140 5 1/2	2
CAR-400	400 15 3/4	250 9 13/16	2

ACCESSORY MODEL	1	2	3	4	5	REMARKS

Project: _____	Submitted: _____
Customer: _____	Approved: _____
Location: _____	

Soler & Palau will not be responsible for fabrication changes or errors resulting from customer use of a non-current submittal drawing.