

MODEL TXB-UL762

UPBLAST BELT DRIVE

CENTRIFUGAL ROOF EXHAUSTER

FOR RESTAURANT AND GENERAL EXHAUST



APPLICATION

Isolation of motor and drive components from the air stream and the high velocity vertical air discharge make the model TXB-UL762 ideally suited for the removal of dirty, contaminated and/or high temperature air from processes and buildings. Typical applications include restaurant hoods and similar kitchen exhaust ventilation, fume and smoke removal, laboratory fume hood exhaust and chemical process exhaust.

For grease removal applications the fan must be installed per NFPA 96 and with a 40" discharge height and hinged access base.

CONSTRUCTION

Housing

- Heavy-gauge aluminum for extra strength with prepunched mounting holes.
- Neoprene isolators for reduction of vibration and sound.
- Enclosed, ventilated motor/drive compartment isolates motor and drives from exhaust air.
- Cover easily removed for quick access to motor compartment.
- Water tight conduit tube for easy electrical connection.
- External weather proof disconnect is included on standard models.
- Stainless steel exterior fasteners.

Centrifugal Wheel

- All aluminum backward inclined wheel.
- Nonoverloading for safe operation in ducted systems.
- Statically and dynamically balanced for smooth operation.

Drives

- Sized for minimum 150% of drive horsepower.
- Machined cast iron adjustable motor pulleys.
- Adjustable base for belt tensioning.
- Nonstatic oil resistant v-belts.

DIMENSIONAL DATA

MODEL TXB-RHUL	A	B	C	D	E	ROOF OPENING	Average Ship Wt. Lbs.
24	35 1/2	47 1/4	31 1/2	41	2 1/2	30 3/4	245
30	42 1/2	56 3/4	42 1/2	44	2 1/2	37 3/4	365
36	42 1/2	66	47 1/2	46	2 1/2	37 3/4	365

ACCESSORIES

MODEL TXB-RHUL	12" HIGH MOUNTING CURB (1)		18" HIGH MOUNTING CURB	DAMPER (2)		DAMPER MOTOR (LOOSE)	AUTOMATIC BELT TENSIONER (INSTALLED)	HINGED BASE KIT	METAL GREASE BOX	GREASE GRABBER	BIRDSCREEN (3) (Ships loose)
	OD	STOCK NO.	STOCK NO.	OD	STOCK NO.	STOCK NO.	STOCK NO.	STOCK NO.	STOCK NO.	STOCK NO.	STOCK NO.
24	33 3/4	611233 ▲	621834V ▲	30	411030 ▲	411611 ▲	100072 ▲	98028001HD ▲	90005891-B ▲	708971 ▲	N/A
30	40 3/4	611240 ◆	621841V ◆	36	611036 ◆	411611 ◆	N/A	N/A	90005891-B ◆	708971 ◆	N/A
36	40 3/4	611240 ◆	621841V ◆	36	611036 ◆	411611 ◆	N/A	N/A	90005891-C ◆	708971 ◆	N/A

- 1 - RESTAURANT CURBS MUST BE 18" HIGH MINIMUM PER NFPA-96.
- 2 - DO NOT USE DAMPER FOR FANS IN GREASE REMOVAL APPLICATIONS PER NFPA 96.
- 3 - DO NOT USE FOR UL762 APPLICATIONS

Ship Schedules:
● Next Day Shipment From Stock
▲ 3 Day Shipment From Stock
◆ 10 Day Shipment

ALL DIMENSIONS IN INCHES, WEIGHTS IN POUNDS. OD IS OUTSIDE DIMENSION OF SQUARE CURB AND DAMPER. DUE TO CONTINUING RESEARCH, S&P RESERVES THE RIGHT TO CHANGE SPECIFICATIONS WITHOUT NOTICE.

Please refer to the General Catalog or contact the Factory for our Full Line of products available on standard shipping schedules.

AMCA SEAL



S&P USA Ventilation Systems, LLC., Div. of Soler & Palau Ventilation Group, certifies that the Models TXB shown herein are licensed to bear the AMCA Seal. The ratings shown are based on test and procedures performed in accordance with AMCA Publication 211 and AMCA Publication 311 and comply with the requirement of the AMCA Certified Ratings Program.



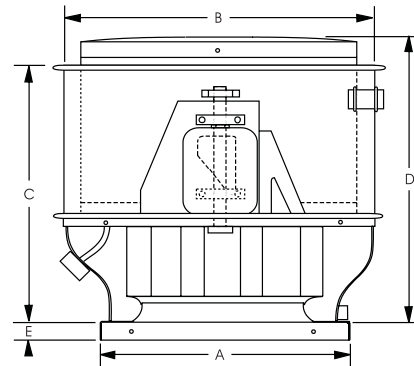
LISTED POWER ROOF VENTILATOR
UL STANDARD 762

Motors

- Single speed open drip-proof are standard.
- All motors are rated for continuous duty.
- 182T and larger motors shipped unmounted for field installation.
- Disconnect switch standard with single speed drip-proof motors.

Bearings

- Heavy-duty ball bearing type.
- Prelubricated and permanently sealed.



MODEL TXB-UL762

**Upblast Belt Drive Centrifugal
Restaurant Roof Exhauster**

Ventilator with Open Drip-proof Motor
and Drive Assembly

Model TXB	Motor Hp	Max. BHp	RPM	Sones @ 1/4 SP	CFM at Static Pressure								115/1/60*	208-230/460/3/60
					0	1/4	3/8	1/2	5/8	3/4	1	1 1/4	Stock No.	Stock No.
24	1/3	0.33	495	8.0	4555	3731	3018	-	-	-	-	-	TXB24RHULPH1S ▲	TXB24RHULPH3S ▲
	1/2	0.50	565	10.3	5199	4519	4063	3346	-	-	-	-	TXB24RHULQH1S ▲	TXB24RHULQH3S ▲
	3/4	0.75	650	13.6	5981	5413	5072	4661	4099	2979	-	-	TXB24RHULRH1S ▲	TXB24RHULRH3S ▲
	1	1.03	720	16.6	6626	6123	5835	5509	5124	4623	-	-	TXB24RHULSH1S ▲	TXB24RHULSH3S ▲
	1 1/2	1.51	820	22	7546	7113	6874	6616	6332	6010	5146	2245	TXB24RHULTH1S ▲	TXB24RHULTH3S ▲
	2	2.00	900	26	8282	7892	7681	7457	7216	6956	6339	5433	TXB24RHULVH1S ▲	TXB24RHULVH3S ▲
30	1/2	0.50	405	7.5	6240	5466	4315	-	-	-	-	-	TXB30RHULQH1S ◆	TXB30RHULQH3S ◆
	3/4	0.76	465	9.6	7356	6730	5973	4894	-	-	-	-	TXB30RHULRH1S ◆	TXB30RHULRH3S ◆
	1	1.00	510	11.5	8176	7622	7003	6221	5125	-	-	-	TXB30RHULSH1S ◆	TXB30RHULSH3S ◆
	1 1/2	1.51	585	14.8	9525	9055	8555	8001	7334	6495	-	-	TXB30RHULTH1S ◆	TXB30RHULTH3S ◆
	2	2.07	650	17.7	10680	10263	9827	9364	8855	8262	6658	-	TXB30RHULVH1S ◆	TXB30RHULVH3S ◆
	3	3.00	735	22	12177	11812	11437	11047	10637	10199	9152	7730	N/A ◆	TXB30RHULWH3S ◆
	5	5.05	875	28	14623	14319	14011	13696	13373	13040	12332	11522	N/A ◆	TXB30RHULXH3S ◆
36	3/4	0.75	355	7.7	10252	8369	6717	-	-	-	-	-	TXB36RHULRH1S ◆	TXB36RHULRH3S ◆
	1	1.03	395	9.4	11407	9844	8611	6793	-	-	-	-	TXB36RHULSH1S ◆	TXB36RHULSH3S ◆
	1 1/2	1.53	450	12.0	12996	11710	10832	9685	8075	6094	-	-	TXB36RHULTH1S ◆	TXB36RHULTH3S ◆
	2	2.04	495	14.2	14295	13165	12449	11560	10483	8988	-	-	TXB36RHULVH1S ◆	TXB36RHULVH3S ◆
	3	3.03	565	17.7	16317	15361	14795	14146	13377	12455	9936	-	N/A ◆	TXB36RHULWH3S ◆
	5	5.05	670	24	19349	18568	18131	17654	17131	16548	15128	13471	N/A ◆	TXB36RHULXH3S ◆

Power ratings (BHP) do not include transmission losses.

Performance certified is for installation type A-free inlet, free outlet. Performance ratings include the effects of birdscreen in the airstream.

The sound ratings shown are loudness values in fan sones @ 5' (1.5m) in a hemispherical free field calculated per AMCA Standard 301.

Installation Type A: free inlet hemispherical sone levels.

*Tri-voltage (115-208-230) is standard on 3/4 through 1 1/2 Hp Single phase motors. Tri-voltage is available for the 1/2 Hp motors. Inquire for price and delivery.