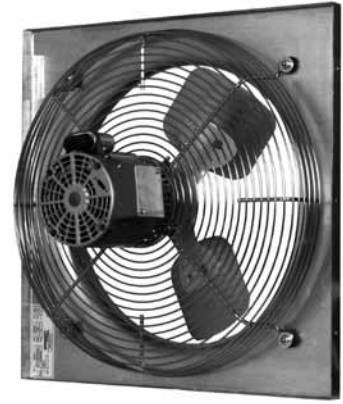


MODEL GED

SIDEWALL DIRECT DRIVE PROPELLER EXHAUST FAN



APPLICATION

GED wall propeller fans feature the maximum efficiency, low maintenance and durable, economical operation resulting from the direct drive design. It is available in exhaust configurations to provide general ventilation for a wide variety of buildings and enclosed areas within buildings. Examples include factories, assembly plants, churches, gymnasiums, garages, jails, machine rooms and many others.

They feature extremely quiet operation and an integral motor side guard as standard.

CONSTRUCTION

Panel Assembly

- 16 gauge galvanized steel.
- One piece spun venturi for maximum efficiency.
- Prepunched mounting holes for easy installation.
- Formed flanges for added rigidity.
- Integral OSHA approved motor side guard.

Propeller

- Attached directly to motor shaft for maximum efficiency.
- Precision pitched, fabricated aluminum blades (3 & 4 blade models).
- Polypropylene blades (6 blade models).
- Statically and dynamically balanced.

DIMENSIONAL DATA

MODEL GED	DIMENSIONS (IN.)						Average Ship Wt. Lbs.
	A	B	C	D	E*	F*	
10	16	10-1/2	1	2	11	9	30
12	16	12-1/2	1	2	14	12	30
14	20	14-1/2	1	2	14	12	34
16	20	16-1/2	1	2	14	12	37
18	24	18-1/2	1	2	15	13	45
20	24	20-1/2	1	2	15	13	50

- A. Outside dimension of square panel. D. Depth of venturi, 2" for all models.
 B. Diameter of venturi. E. Depth of fan (exhaust).
 C. Width of flange, 1" for all models. F. Depth of fan (supply).
 *Varies with motor selection.

Motors

- Permanently lubricated sealed ball bearing type.
- Sleeve bearings on low HP models.
- Open drip-proof construction is standard.

Entire Fan Unit

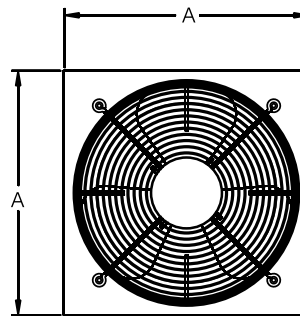
- Suitable for all angle installation.
- Completely assembled and factory tested prior to shipment.



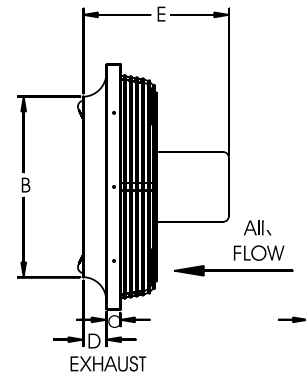
UL STANDARD 705



S&P USA Ventilation Systems, LLC., Div. of Soler & Palau Ventilation Group, certifies that the Models GED shown herein are licensed to bear the AMCA Seal. The ratings shown are based on test and procedures performed in accordance with AMCA Publication 211 and AMCA Publication 311 and comply with the requirement of the AMCA Certified Ratings Program.



REAR VIEW



EXHAUST

PROPELLER WALL/DUCT FANS

ACCESSORIES

MODEL GED	GRAVITY DAMPER	DAMPER MOTOR (LOOSE)	115 VOLT SPEED CONTROL	
	STOCK NO.	STOCK NO.	5 AMP STOCK NO.	10 AMP STOCK NO.
10	EAS12 ●	EAS1232MTR ●	2727.1 ●	N/A
12	EAS12 ●	EAS1232MTR ●	2727.1 ●	N/A
14	EAS16 ●	EAS1232MTR ●	2727.1 ●	2828.1 ●
16	EAS16 ●	EAS1232MTR ●	2727.1 ●	N/A
18	EAS20 ●	EAS1232MTR ●	2727.1 ●	2828.1 ●
20	EAS20 ●	EAS1232MTR ●	2727.1 ●	2828.1 ●

Ship Schedules:
● Next Day Shipment From Stock

SPEED CONTROL **2727.1 MAX 1/3 HP-5 AMP 120V**
 2828.1 MAX 1/2 HP-10 AMP 120V

ALL DIMENSIONS IN INCHES, WEIGHTS IN POUNDS. OD IS OUTSIDE DIMENSION OF SQUARE SHUTTER DUE TO CONTINUING RESEARCH, S&P RESERVES THE RIGHT TO CHANGE SPECIFICATIONS WITHOUT NOTICE.
 Please refer to the General Catalog or contact the Factory for our Full Line of products available on standard shipping schedules.

MODEL GED

Sidewall Direct Drive Propeller Exhaust Fan

Ventilator with Open Drip-proof Motor

MODEL GED	MOTOR Hp	RPM	NO. OF BLADES	SONES @ 0° SP	CFM/Bhp at Static Pressure								115/1/60
					0	1/10	1/8	1/4	3/8	1/2	5/8	3/4	STOCK NO.
10	1/10	1550	4	6.5	847/0.1	708/0.1	673/0.1	480/0.1	-	-	-	-	GED10JH1AS ●
12	1/10	1550	4	9.8	1448/0.1	1331/0.1	1300/0.1	883/0.1	-	-	-	-	GED12JH1AS ●
	1/4	1625	4	10.5	1605/0.17	1521/0.17	1490/0.17	1357/0.19	918/0.19	591/0.22	-	-	GED12MH1AS ●
14	1/4	1625	4	9.4	2150/0.25	2045/0.26	2000/0.26	1825/0.26	1500/0.26	1125/0.26	850/0.26	-	GED14MH1AS ●
	1/2	1625	4	12.4	2675/0.53	2518/0.53	2460/0.53	2180/0.53	1760/0.53	1550/0.53	1275/0.53	-	GED14QH1AS ●
16	1/4	1075	4	9.7	2570/0.26	2350/0.26	2275/0.26	1508/0.26	515/0.26	-	-	-	GED16MM1AS ●
	1/3	1625	3	13.1	2805/0.34	2675/0.34	2625/0.34	2470/0.34	2215/0.34	1615/0.34	1150/0.34	765/0.34	GED16PH1AS ●
18	1/4	1075	3	9.1	3060/0.25	2790/0.26	2725/0.25	2140/0.25	1060/0.25	-	-	-	GED18MM1AS ●
	1/4	1625	3	16.3	3050/0.25	2875/0.26	2815/0.26	2600/0.26	2310/0.26	1765/0.26	1115/0.26	715/0.26	GED18MH1AS ●
	1/2	1625	3	16.5	3975/0.53	3815/0.53	3760/0.53	3560/0.53	3235/0.53	2920/0.53	1870/0.53	1450/0.53	GED18QH1AS ●
20	1/4	1075	3	10.7	3510/0.26	3200/0.26	3150/0.26	2615/0.26	1300/0.26	545/0.26	-	-	GED20MM1AS ●
	1/2	1625	3	16.1	3625/0.53	3425/0.53	3375/0.53	3125/0.53	2750/0.53	2275/0.53	1800/0.53	1425/0.53	GED20QH1AS ●

Speed (RPM) shown is nominal. Performance is based on actual speed of test.

Performance ratings include the effects of appurtenances (accessories).

Performance certified is for installation type A-free inlet, free outlet.

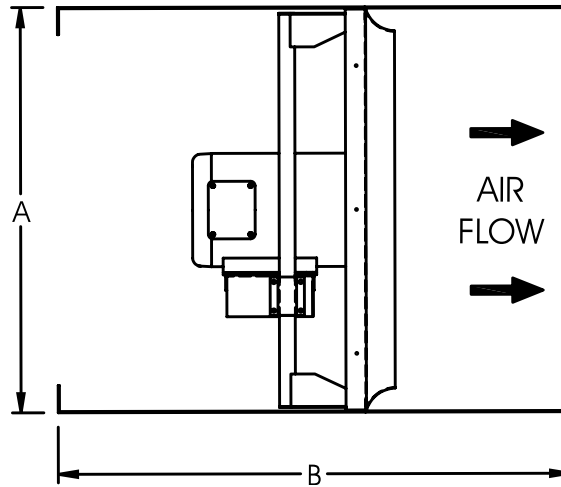
The sound ratings shown are loudness values in fan sones @ 5' (1.5m) in a hemispherical free field calculated per AMCA Standard 301.

Installation Type A: free inlet hemispherical sone levels.

Fans use 3 & 4 blade fabricated aluminum propellers.

PROPELLER WALL/DUCT FANS

ASSEMBLED WALL HOUSING PACK - EXHAUST ASSEMBLED FAN/WALL HOUSING/DAMPER/OSHA GUARD



MODEL GED	A	B	PACK WITH GRAVITY DAMPER	PACK WITH MOTORIZED DAMPER
			STOCK NO.	STOCK NO.
10	17	26	WHPGED1012 ●	WHPGED1012M ●
12	17	26	WHPGED1012 ●	WHPGED1012M ●
14	21	26	WHPGED1416 ●	WHPGED1416M ●
16	21	26	WHPGED1416 ●	WHPGED1416M ●
18	25	26	WHPGED1820 ●	WHPGED1820M ●
20	25	26	WHPGED1820 ●	WHPGED1820M ●

Please refer to the General Catalog or contact the Factory for our Full Line of products available on standard shipping schedules.