

MODEL DB

DOWNBLAST BELT DRIVE

CENTRIFUGAL ROOF EXHAUSTER

APPLICATION

Model DB belt drive units are used for the exhaust of relatively clean air from a wide range of commercial, industrial and institutional environments such as manufacturing and assembly plants, office buildings, schools, hospitals, restaurants, athletic facilities and many others.

The non-overloading wheel with its higher static pressure capabilities makes this unit suitable for either ducted or non-ducted applications. Its roof mounting permits location near the area to be ventilated, allowing short duct runs and more efficient operation.

The aluminum exterior provides an attractive appearance. Belt drive results in lower operating RPM and sound levels, making the Model DB well suited to applications where quiet operation is important. Belt drive also permits easy performance adjustments when needed to balance the total ventilation system.

CONSTRUCTION

Housing

- Heavy-gauge aluminum for extra strength with prepunched mounting holes.
- Neoprene isolators for reduction of vibration and sound.
- Cover easily removed for quick access to motor compartment.
- Water tight conduit tube for easy electrical connection.
- Aluminum birdscreen and disconnect are standard.
- Stainless steel exterior fasteners.

Centrifugal Wheel

- All aluminum backward inclined wheel.
- Nonoverloading for safe operation in ducted systems.
- Statically and dynamically balanced for smooth operation.

Drives

- Sized for minimum 150% of drive horsepower.
- Machined cast iron adjustable motor pulleys.
- Adjustable base for belt tensioning.
- Nonstatic oil resistant v-belts.

Motors

- Single speed open drip-proof are standard.
- All motors are rated for continuous duty.
- 182T and larger motors shipped unmounted for field installation.
- Disconnect switch standard with single speed drip-proof motors.

Bearings

- Heavy-duty ball bearing type.
- Prelubricated and permanently sealed.

DIMENSIONAL DATA

MODEL DB	A	B	C	D	E	F	ROOF OPENING	Average Ship Wt. Lbs.
24	41 1/4	26 1/2	35 3/4	8 1/2	30	2 1/2	30 3/4	290
30	58 3/8	37	42 1/2	5 1/2	41	2 1/2	37 3/4	465
36	58 3/8	37	42 1/2	10	41	2 1/2	37 3/4	475

Ship Schedules:
● Next Day Shipment From Stock
▲ 3 Day Shipment From Stock
◆ 10 Day Shipment

ACCESSORIES

MODEL DB	RECOMMENDED 12" HIGH MOUNTING CURB		RECOMMENDED GRAVITY DAMPER		DAMPER MOTOR (LOOSE)	AUTOMATIC BELT TENSIONER (INSTALLED)
	OD	STOCK NO.	OD	STOCK NO.	STOCK NO.	STOCK NO.
24	33 3/4	611233 ●	30	411030 ●	411611 ●	100072 ●
30	40 3/4	611240 ◆	36	611036 ◆	411611 ◆	N/A
36	40 3/4	611240 ◆	36	611036 ◆	411611 ◆	N/A

ALL DIMENSIONS IN INCHES, WEIGHTS IN POUNDS. OD IS OUTSIDE DIMENSION OF SQUARE CURB AND DAMPER. DUE TO CONTINUING RESEARCH, S&P RESERVES THE RIGHT TO CHANGE SPECIFICATIONS WITHOUT NOTICE.

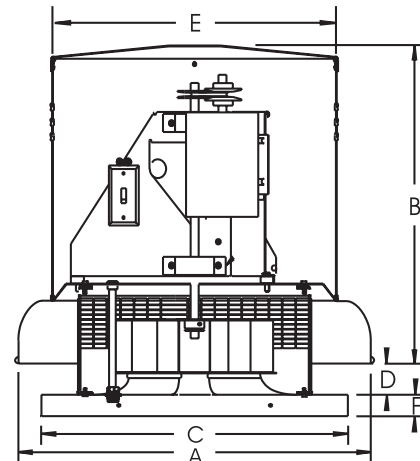
Please refer to the General Catalog or contact the Factory for our Full Line of products available on standard shipping schedules.



AMCA SEAL



S&P USA Ventilation Systems, LLC., Div. of Soler & Palau Ventilation Group, certifies that the Models DB shown herein are licensed to bear the AMCA Seal. The ratings shown are based on test and procedures performed in accordance with AMCA Publication 211 and AMCA Publication 311 and comply with the requirement of the AMCA Certified Ratings Program.



MODEL DB					Downblast Belt Drive Centrifugal Roof Exhauster										Ventilator with Open Drip-proof Motor and Drive Assembly	
Model DB	Motor Hp	Max. BHp	RPM	Sones @ 1/4 SP	CFM at Static Pressure										115/1/60*	208-230- 460/3/60
					0	1/8	1/4	3/8	1/2	5/8	3/4	1	1 1/4	Stock No.	Stock No.	
24	1/3	0.33	490	8.6	4879	4400	3751	2388	-	-	-	-	-	DB24PH1S ●	DB24PH3S ◆	
	1/2	0.49	560	11.5	5576	5169	4688	3972	2614	-	-	-	-	DB24QH1S ●	DB24QH3S ●	
	3/4	0.75	645	14.3	6422	6078	5683	5219	4557	3374	1906	-	-	DB24RH1S ●	DB24RH3S ●	
	1	1.00	710	17.2	7069	6761	6412	6033	5549	4848	3773	-	-	DB24SH1S ●	DB24SH3S ●	
	1 1/2	1.54	820	22.0	8164	7902	7613	7299	6968	6567	6073	4360	-	DB24TH1S ●	DB24TH3S ●	
	2	2.04	900	26.0	8961	8723	8467	8190	7899	7590	7218	6180	4490	DB24VH1S ◆	DB24VH3S ◆	
30	1/2	0.52	410	6.6	7098	6406	5512	4350	2246	-	-	-	-	DB30QH1S ◆	DB30QH3S ◆	
	3/4	0.76	465	7.7	8050	7456	6735	5866	4743	2961	-	-	-	DB30RH1S ◆	DB30RH3S ◆	
	1	1.03	515	8.7	8916	8388	7775	7074	6215	5132	3571	-	-	DB30SH1S ◆	DB30SH3S ◆	
	1 1/2	1.55	590	10.6	10214	9761	9257	8683	8030	7315	6472	3860	-	DB30TH1S ◆	DB30TH3S ◆	
	2	2.13	655	13.1	11339	10936	10496	10010	9469	8871	8231	6617	4024	DB30VH1S ◆	DB30VH3S ◆	
	3	3.13	745	16.7	12897	12546	12171	11768	11332	10857	10343	9220	7827	N/A	DB30VH3S ◆	
36	3/4	0.80	355	9.1	10134	9166	7936	5730	-	-	-	-	-	DB36RH1S ◆	DB36RH3S ◆	
	1	1.02	385	10.3	10990	10122	9075	7268	5137	-	-	-	-	DB36SH1S ◆	DB36SH3S ◆	
	1 1/2	1.58	445	13.0	12703	11985	11118	10124	8417	6731	-	-	-	DB36TH1S ◆	DB36TH3S ◆	
	2	2.11	490	15.7	13987	13351	12574	11770	10712	8982	7516	-	-	DB36VH1S ◆	DB36VH3S ◆	
	3	3.15	560	20.0	15986	15445	14803	14106	13387	12494	11151	8338	-	N/A	DB36VH3S ◆	
	5	5.16	660	27.0	18840	18393	17884	17315	16722	16130	15470	13586	11030	N/A	DB36XH3S ◆	

Power ratings (BHP) do not include transmission losses.

Performance certified is for installation type A-free inlet, free outlet. Performance ratings include the effects of birdscreen in the airstream.

The sound ratings shown are loudness values in fan sones @ 5' (1.5m) in a hemispherical free field calculated per AMCA Standard 301.

Installation Type A: free inlet hemispherical sone levels.

*Tri-voltage (115-208-230) is standard on 3/4 through 1 1/2 Hp Single phase motors. Tri-voltage is available for the 1/2 Hp motors. Inquire for price and delivery.